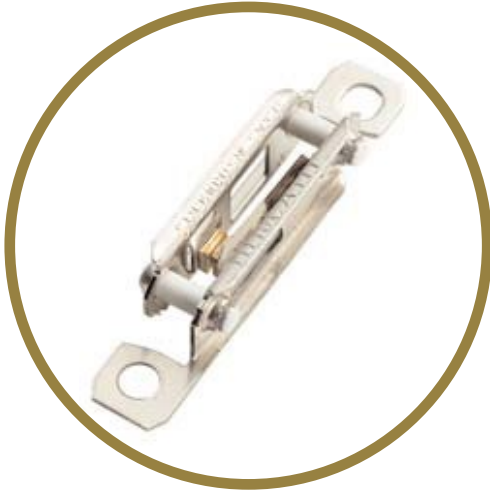


TH10

THERMAL CUT-OUT

Introduction

Sensata Technologies has developed the TH10 temperature cut-out to respond to the need of increasing power of heating and personal care appliances. As a result of this, Sensata Technologies has further established its leading position in the worldwide thermal protection market.



Key Benefits

- **Flexible Mounting:**
3 Terminal Configurations Available
- **Robust Design:**
The Bimetal Disc is Protected by the Metal Support
- **Full Automated Live:**
Provides Stable Setting Value
- **Low Price:**
The Particular Design Provides High Competitiveness

Applications

The TH10 operates as a sensitive power cut-out for:

- Hair dryers
- Fan heaters
- Convector heaters
- Transformers
- Hand dryers

and various other applications. With the TH10 Sensata Technologies provides you with cost-effective protection while offering superior quality and reliability.

Design and Operating Principles

The TH10 consists of two nickelplated supports, held together with ceramic pins. One support holds the high performance Klixon® bimetal disc, which, in combination with the sophisticated contact system, provides superior cycling performance. For self-hold versions see TH11/21. A wide temperature range, standard 5K tolerance, different bimetal resistivity, plus optional terminal configurations make the TH10 suitable for a very wide range of applications.

The operating principle of the TH10 is simple and effective. A current flows through the resistive Klixon® bimetal disc. When a fault condition occurs, the increased ambient temperature causes the bimetal disc to snap open the contacts. As the device cools down to a safe temperature again, the contacts will automatically reset.

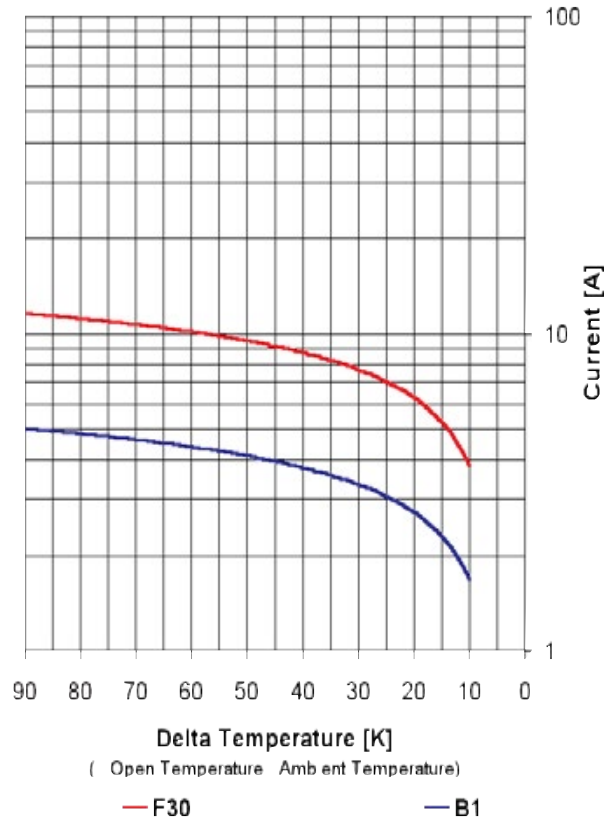
Standard Operating Temperature Range	From 45°C to 170°C
Max. Ambient Temperature	200°C
Tolerance on Open Temperature	±5K

Declarations

Declarations to EN60730-2-9		Declarations to EN60730-2-2
Purpose of the Control	Thermal Cut-Out	Thermal Motorprotector
Construction	Incorporated, non-electric	
Degree of Protection	IP00	
Terminals for Ext. Conductors	For internal conductors only	
Method of (Dis)Connection of Terminals	Riveting, soldering, spotwelding, springloaded contacting	
Details for Terminals for Internal Conductors	Insulation of conductors used by OEM's must be able to withstand the operating temperatures in normal usage	
Temperature Limits of the Switchhead	200°C	
PTI of Insulation Materials	PTI 250	PTI 250
Method of Mounting	By various means in conjunction with (holes in) terminals, such that adequate creepage and clearance distances are maintained between live parts and accessible metal parts	By various means in conjunction with (holes in) terminals, such that adequate creepage and clearance distances are maintained between live parts and accessible metal parts
Operating Time	For continuous operation	
Type of Action	Type 2B	Type 3C
Reset Characteristic	Automatic	Automatic
Extent of Sensing Element	Whole control	
Control Pollution Degree	Degree 2	Degree 2

Ultimate Trip Current vs. Ambient Temperature (non-circulating air)

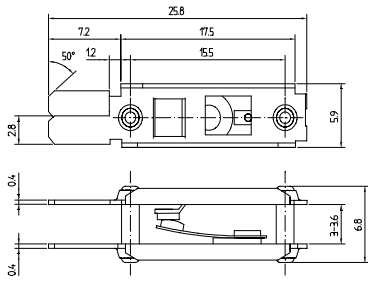
Approx. to be used for selecting samples for verification tests



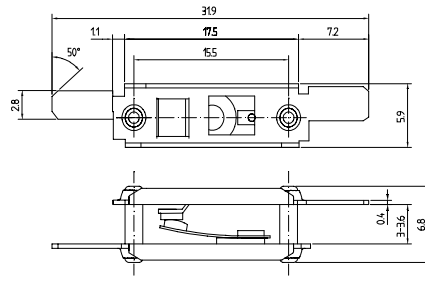


DIMENSION AND TYPES

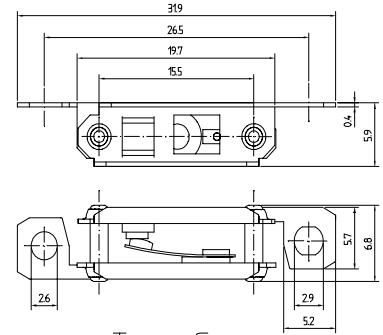
Dimensions in mm



Type A



Type B



Type C



ORDERING OPTIONS

Example : TH10 C A 101

Terminals on Opposite End (With Holes), Nickel Plated Steel, Standard Operating Temp 95°C, Low Resistivity Bimetal Disc (F30) 101, High Resistivity Bimetal Disc (B1) 105)

Product Line _____ **TH10** - **X** - **Y** - **Z**

Terminal Configuration _____

Code	Max. Ambient Temperature
A	Terminals on Same End
B	Terminals on Opposite End
C	Terminals on Opposite End (with holes)

Disc and Contact Support Material _____

Code	Material
A	Nickel Plated Steel

Standard Opening Temperature _____

Operating Temp.	Low Resistivity Bimetal Disc. (F30)	High Resistivity Bimetal Disc. (B1)
60°C	031	035
65°C	041	045
70°C	051	055
75°C	061	065
80°C	071	075
85°C	081	085
90°C	091	095
95°C	101	105
100°C	111	115
105°C	121	125
110°C	131	135
115°C	141	145
120°C	151	155
125°C	161	165
130°C	171	175
135°C	181	185
140°C	191	195
145°C	201	205
150°C	211	215
170°C		255



AGENCY APPROVALS & CERTIFICATIONS



Agency	DEKRA
File Number	2014531.14
Rating	16(2)A 250 Vac @ 1.000 cycles,
Standard	EN60730-2-9, EN60730-1



Agency	UL
File Number	E54813

Sensata Technologies, Inc. ("Sensata") data sheets are solely intended to assist designers ("Buyers") who are developing systems that incorporate Sensata products (also referred to herein as "components"). Buyer understands and agrees that Buyer remains responsible for using its independent analysis, evaluation and judgment in designing Buyer's systems and products. Sensata data sheets have been created using standard laboratory conditions and engineering practices. Sensata has not conducted any testing other than that specifically described in the published documentation for a particular data sheet. Sensata may make corrections, enhancements, improvements and other changes to its data sheets or components without notice.

Buyers are authorized to use Sensata data sheets with the Sensata component(s) identified in each particular data sheet. HOWEVER, NO OTHER LICENSE, EXPRESS OR IMPLIED, BY ESTOPPEL OR OTHERWISE TO ANY OTHER SENSATA INTELLECTUAL PROPERTY RIGHT, AND NO LICENSE TO ANY THIRD PARTY TECHNOLOGY OR INTELLECTUAL PROPERTY RIGHT, IS GRANTED HEREIN. SENSATA DATA SHEETS ARE PROVIDED "AS IS". SENSATA MAKES NO WARRANTIES OR REPRESENTATIONS WITH REGARD TO THE DATA SHEETS OR USE OF THE DATA SHEETS, EXPRESS, IMPLIED OR STATUTORY, INCLUDING ACCURACY OR COMPLETENESS. SENSATA DISCLAIMS ANY WARRANTY OF TITLE AND ANY IMPLIED WARRANTIES OF MERCHANTABILITY, FITNESS FOR A PARTICULAR PURPOSE, QUIET ENJOYMENT, QUIET POSSESSION, AND NON-INFRINGEMENT OF ANY THIRD PARTY INTELLECTUAL PROPERTY RIGHTS WITH REGARD TO SENSATA DATA SHEETS OR USE THEREOF.

All products are sold subject to Sensata's terms and conditions of sale supplied at www.sensata.com SENSATA ASSUMES NO LIABILITY FOR APPLICATIONS ASSISTANCE OR THE DESIGN OF BUYERS' PRODUCTS. BUYER ACKNOWLEDGES AND AGREES THAT IT IS SOLELY RESPONSIBLE FOR COMPLIANCE WITH ALL LEGAL, REGULATORY AND SAFETY-RELATED REQUIREMENTS CONCERNING ITS PRODUCTS, AND ANY USE OF SENSATA COMPONENTS IN ITS APPLICATIONS, NOTWITHSTANDING ANY APPLICATIONS-RELATED INFORMATION OR SUPPORT THAT MAY BE PROVIDED BY SENSATA.

Mailing Address: Sensata Technologies, Inc., 529 Pleasant Street, Attleboro, MA 02703, USA.

CONTACT US

Americas

+1 (508) 236-2551
electrical-protection-sales@sensata.com

Europe, Middle East & Africa

+31 (74) 357 8156
info-sse@list.sensata.com

Asia Pacific

EP_Asia_Public@list.sensata.com
 China +86 (21)2306 1651
 Japan +81 (45) 277 7104
 Korea +82 (53) 644 9685
 India +91 (40) 4033 9611
 Rest of Asia +65 (6478) 6860