



34HM | MOTOR PROTECTORS

HERMETICALLY SEALED ON-WINDING, 3-PHASE

Introduction

This protector is designed to protect 3-phase refrigeration and air conditioning compressor motors from excessive winding temperature; however, applications may be made to any WYE wound 3-phase motors where environmental conditions require a hermetic seal. The low profile permits the device to be installed directly on motor windings for closely coupled temperature monitoring, thus enhancing over-temperature protection against loss of refrigeration charge, low voltage locked rotor, and secondary single-phasing (loss of phase). The 34HM is designed to reduce installation costs by replacing pilot control systems with a simple, economical, compact device.

The basic element of the 34HM is the famous Klixon® Snap Act



Features and Benefits

- Protect WYE (Star) wound 3-phase motors from 1 to 6HP. Used in refrigeration compressors, submersible pumps and other restrictive environments.
- In-line protection in a small, rugged, welded construction. Low profile shape allows for close coupling to motor windings.
- Hermetic reliability designed for leakage rates less than 1 x 10⁻⁹ cc per second of air with 1 atmosphere pressure differential.
- Klixon® snap-action discs assure positive make and break action and controlled temperature differential.
- Designed for low and high side pressure applications.

Line Break Operation

Klixon® 16HM motor protectors are line break automatic reset controls which are wired in series with the motor windings. These protectors are designed to track winding temperatures and to respond to changes in line current. When properly applied, the 16HM can provide protection against motor overheating under the following conditions:

SPECIFICATIONS

Maximum Recommended Locked Rotor Current

Standard Series			High Capacity Series				
1XX	2XX		3XX	4XX	5XX		6XX
230V	380V	460V	575V	230V	380V	460V	575V
90A	55A	45A	35A	105A	80A	75A	60A

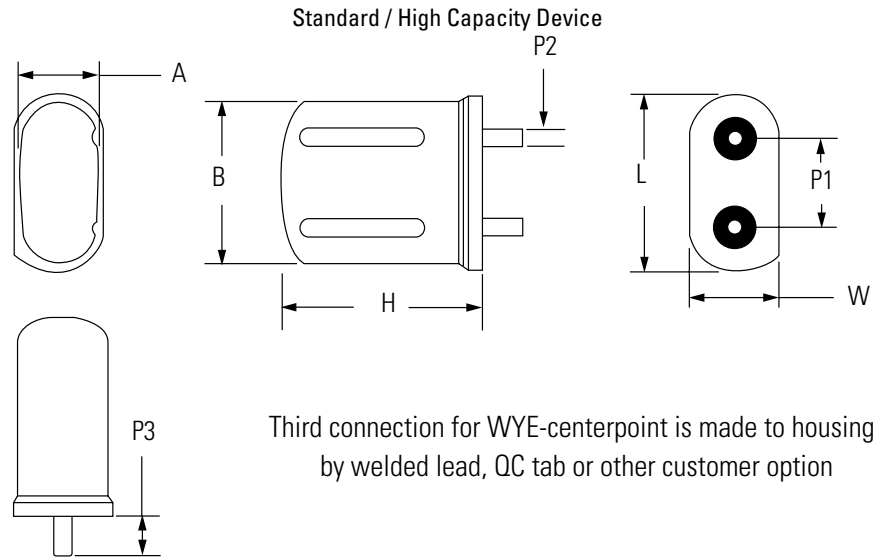
Current ratings are based on life test data which has demonstrated high reliability at 5K cycles (standard series) and 2K cycles (high capacity series) at 0.7 over factor on Sensata life test boards. These capacities are intended as a guide for application work.

Standard Operating Temperatures

Open Temperature	95°C to 175°C (5°C Increments) Tolerance ±5°C
Closing Temperature	To Suit Application Tolerance ±9°C
Pressure Rating	1600 PSIG 110 Bar

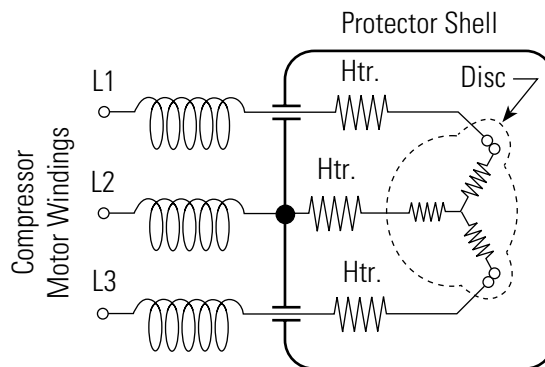
DIAGRAMS

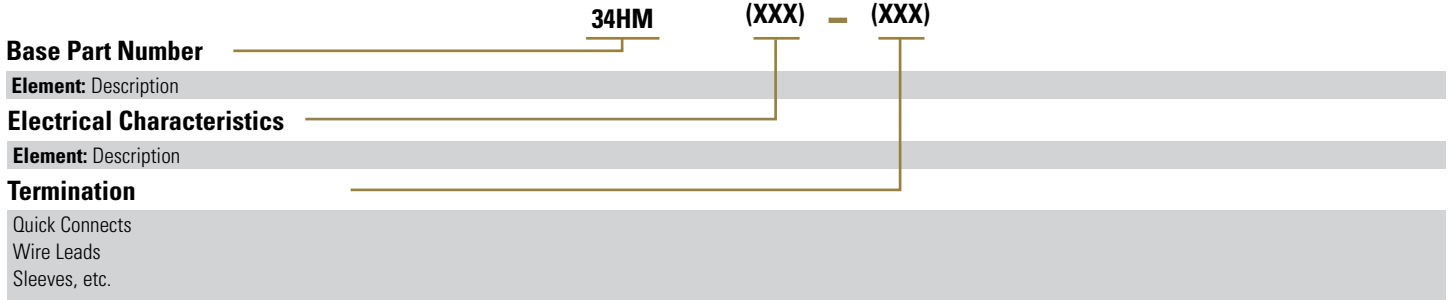
34HM Hermetic Motor Protector



Unit	L	W	H	P1	P2	P3	A	B
Ins	1.170	0.670	1.140	0.556	0.089	0.250	0.585	1.080
mm	29.7	17.0	29.0	14.1	2.3	6.4	14.9	27.4

Electrical Schematic





When making an inquiry on Klixon® hermetically sealed motor protectors, be certain to specify the entire part number for your application, if known. The six digits following the series identification indicate your specific electrical and physical requirement.



AGENCY APPROVALS & CERTIFICATIONS



Agency	File Number
UL/Canadian UL	E15962
DEKRA (ENEC)	2018218.08
CQC	CQC03002007220

Sensata Technologies, Inc. ("Sensata") data sheets are solely intended to assist designers ("Buyers") who are developing systems that incorporate Sensata products (also referred to herein as "components"). Buyer understands and agrees that Buyer remains responsible for using its independent analysis, evaluation and judgment in designing Buyer's systems and products. Sensata data sheets have been created using standard laboratory conditions and engineering practices. Sensata has not conducted any testing other than that specifically described in the published documentation for a particular data sheet. Sensata may make corrections, enhancements, improvements and other changes to its data sheets or components without notice.

Buyers are authorized to use Sensata data sheets with the Sensata component(s) identified in each particular data sheet. HOWEVER, NO OTHER LICENSE, EXPRESS OR IMPLIED, BY ESTOPPEL OR OTHERWISE TO ANY OTHER SENSATA INTELLECTUAL PROPERTY RIGHT, AND NO LICENSE TO ANY THIRD PARTY TECHNOLOGY OR INTELLECTUAL PROPERTY RIGHT, IS GRANTED HEREIN. SENSATA DATA SHEETS ARE PROVIDED "AS IS". SENSATA MAKES NO WARRANTIES OR REPRESENTATIONS WITH REGARD TO THE DATA SHEETS OR USE OF THE DATA SHEETS, EXPRESS, IMPLIED OR STATUTORY, INCLUDING ACCURACY OR COMPLETENESS. SENSATA DISCLAIMS ANY WARRANTY OF TITLE AND ANY IMPLIED WARRANTIES OF MERCHANTABILITY, FITNESS FOR A PARTICULAR PURPOSE, QUIET ENJOYMENT, QUIET POSSESSION, AND NON-INFRINGEMENT OF ANY THIRD PARTY INTELLECTUAL PROPERTY RIGHTS WITH REGARD TO SENSATA DATA SHEETS OR USE THEREOF.

All products are sold subject to Sensata's terms and conditions of sale supplied at www.sensata.com SENSATA ASSUMES NO LIABILITY FOR APPLICATIONS ASSISTANCE OR THE DESIGN OF BUYERS' PRODUCTS. BUYER ACKNOWLEDGES AND AGREES THAT IT IS SOLELY RESPONSIBLE FOR COMPLIANCE WITH ALL LEGAL, REGULATORY AND SAFETY-RELATED REQUIREMENTS CONCERNING ITS PRODUCTS, AND ANY USE OF SENSATA COMPONENTS IN ITS APPLICATIONS, NOTWITHSTANDING ANY APPLICATIONS-RELATED INFORMATION OR SUPPORT THAT MAY BE PROVIDED BY SENSATA.

Mailing Address: Sensata Technologies, Inc., 529 Pleasant Street, Attleboro, MA 02703, USA.

CONTACT US

Americas
+1 (508) 236-2551
electrical-protection-sales@sensata.com

Europe, Middle East & Africa
+3 174 357 8156
info-sse@list.sensata.com

Asia Pacific
EP_Asia_Public@list.sensata.com
China +86 (21)2306 1651
India +91 (40)4033 9611
Japan +81 (45)277 7104
Korea +82 (53) 644 9685
Rest of Asia +65(6478)6860