

# 37HM | MOTOR PROTECTORS

HERMETICALLY SEALED ON-WINDING, 3-PHASE

## Introduction

This protector is designed to protect 3-phase refrigeration and air conditioning compressor motors from excessive winding temperature; however, applications may be made to any WYE wound 3-phase motors where environmental conditions require a hermetic seal. The low profile permits the device to be installed directly on motor windings for closely coupled temperature monitoring, thus enhancing over-temperature protection against loss of refrigeration charge, low voltage locked rotor, and single-phasing (loss of phase). The 37HM is designed to reduce installation costs by replacing pilot control systems with a simple, economical, compact device.

The basic element of the 35HM is the famous Klixon® Snap Acting Disc.



## Features and Benefits

- Protect WYE (Star) wound 3-phase motors from 1 to 6-7HP. Used in refrigeration compressors, submersible pumps and other restrictive environments.
- In-line protection in a small, rugged, welded construction. Low profile shape allows for close coupling to motor windings.
- Klixon® snap-action discs assure positive make and break action and controlled temperature differential.
- Designed for low and high side pressure applications.

## SPECIFICATIONS

### Maximum Recommended Locked Rotor Current

Standard Series			High Capacity Series		
1XX	2XX	3XX	4XX	5XX	6XX
230V	460V	575V	230V	460V	575V
90A	45A	35A	105A	75A	50A

Current ratings are based on life test data which has demonstrated high reliability at 0.7 power factor on Sensata test boards. These capacities are intended as a guide for application work.

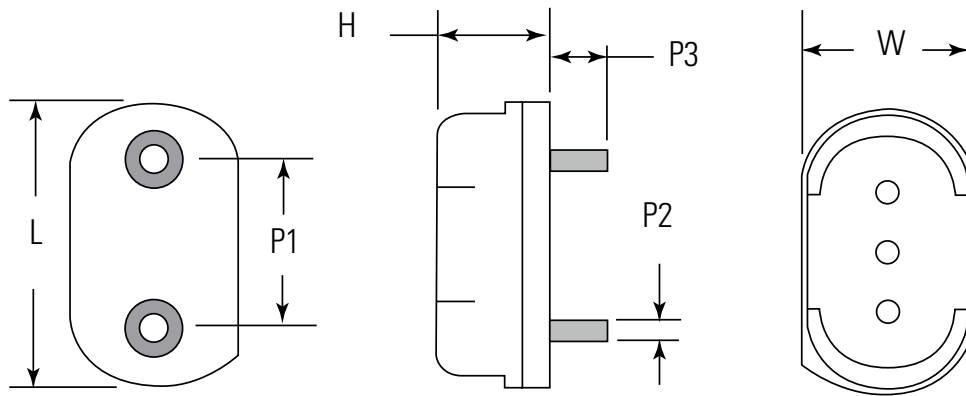
### Standard Operating Temperatures

<b>Open Temperature</b>	100°C to 180°C (5°C Increments) Tolerance ±5°C
<b>Closing Temperature</b>	To Suit Application Tolerance ±9°C
<b>Pressure Rating</b>	1500 PSIG 105 Bar



# DIAGRAMS

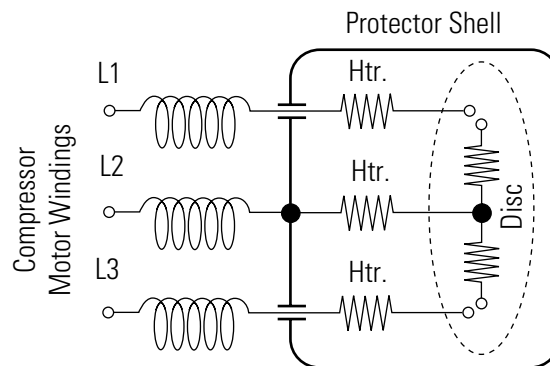
37HM Hermetic Motor Protector

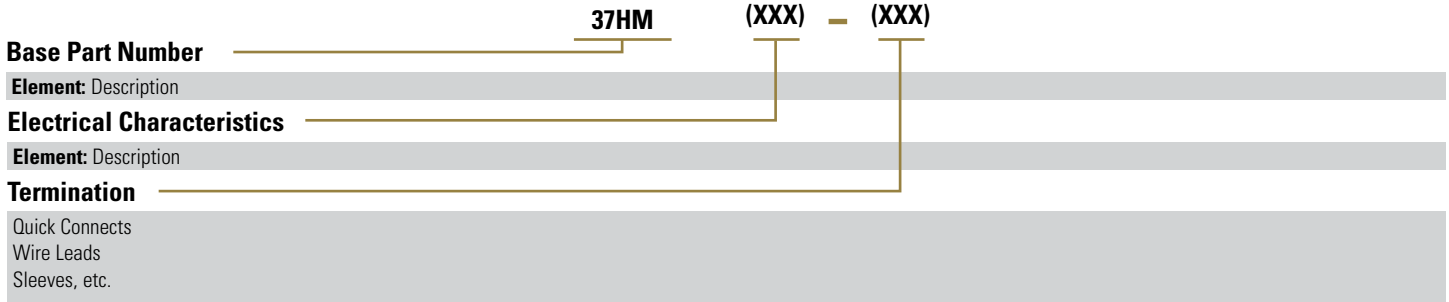


Third connection for WYE-centerpoint is made to housing by welded lead, QC tab or other customer option

Unit	L	W	H	P1	P2	P3
Ins	1.26	0.78	0.5	0.7	0.09	0.25
mm	32	20	12.7	17.8	2.3	6.4

## Electrical Schematic





When making an inquiry on Klixon® hermetically sealed motor protectors, be certain to specify the entire part number for your application, if known. The six digits following the series identification indicate your specific electrical and physical requirement.



AGENCY APPROVALS & CERTIFICATIONS



Agency	File Number
UL/Canadian UL	E15962
DEKRA (ENEC)	2018218.08
CQC	CQC05002011992

Sensata Technologies, Inc. ("Sensata") data sheets are solely intended to assist designers ("Buyers") who are developing systems that incorporate Sensata products (also referred to herein as "components"). Buyer understands and agrees that Buyer remains responsible for using its independent analysis, evaluation and judgment in designing Buyer's systems and products.

Buyers are authorized to use Sensata data sheets with the Sensata component(s) identified in each particular data sheet. HOWEVER, NO OTHER LICENSE, EXPRESS OR IMPLIED, BY ESTOPPEL OR OTHERWISE TO ANY OTHER SENSATA INTELLECTUAL PROPERTY RIGHT, AND NO LICENSE TO ANY THIRD PARTY TECHNOLOGY OR INTELLECTUAL PROPERTY RIGHT, IS GRANTED HEREIN.

All products are sold subject to Sensata's terms and conditions of sale supplied at www.sensata.com SENSATA ASSUMES NO LIABILITY FOR APPLICATIONS ASSISTANCE OR THE DESIGN OF BUYERS' PRODUCTS. BUYER ACKNOWLEDGES AND AGREES THAT IT IS SOLELY RESPONSIBLE FOR COMPLIANCE WITH ALL LEGAL, REGULATORY AND SAFETY-RELATED REQUIREMENTS CONCERNING ITS PRODUCTS, AND ANY USE OF SENSATA COMPONENTS IN ITS APPLICATIONS, NOTWITHSTANDING ANY APPLICATIONS-RELATED INFORMATION OR SUPPORT THAT MAY BE PROVIDED BY SENSATA.

Mailing Address: Sensata Technologies, Inc., 529 Pleasant Street, Attleboro, MA 02703, USA.

CONTACT US

Americas +1 (508) 236-2551 electrical-protection-sales@sensata.com

Europe, Middle East & Africa +3 174 357 8156 info-sse@list.sensata.com

Asia Pacific EP\_Asia\_Public@list.sensata.com China +86 (21)2306 1651 India +91 (40)4033 9611 Japan +81 (45)277 7104 Korea +82 (53) 644 9685 Rest of Asia +65(6478)6860