

Features

- Single and dual section control
- Metal shaft styles
- Carbon element
- Center and multiple detent options
- Wide range of resistance tapers
- Plain or knurled shaft options

R16 Series - 17 mm Rotary Potentiometer

Electrical Characteristics

Taper..... Linear, audio
 Standard Resistance Range
 1 K ohms to 1 M ohms
 Standard Resistance Tolerance..... ±20 %
 Residual Resistance..... 1 % max.

Environmental Characteristics

Operating Temperature-10 °C to +75 °C
 Power Rating(70°C).....0.125 watt
 Maximum Operating Voltage
200V
 Sliding Noise68mV max.

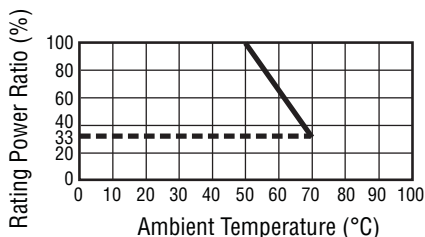
Mechanical Characteristics

Mechanical Angle 300 ° ±5 °
 Rotational Torque 10 to 150 gf-cm
 Detent Torque 20 to 200 gf-cm
 Stop Strength 4 kgf-cm min.
 Rotational Life 10,000 cycles
 Soldering Condition
 260 °C max. within 3 seconds
 Hardware One flat washer and
 mounting nut supplied per
 potentiometer with bushing

Materials

Shaft Zinc alloy
 Bushing Zinc alloy
 Driving plate.....POM(UL94-HB)
 Reed.....Zinc cupronickel
 Carbon plate.....FR4 Substrate
 (UL94-HB)
 Terminal.....Cold rolled strip and
 Tin Plating
 HoopCold rolled strip and
 Zinc Plating

Derating Curve



General Tolerance

Dimension:

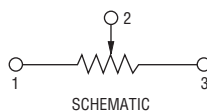
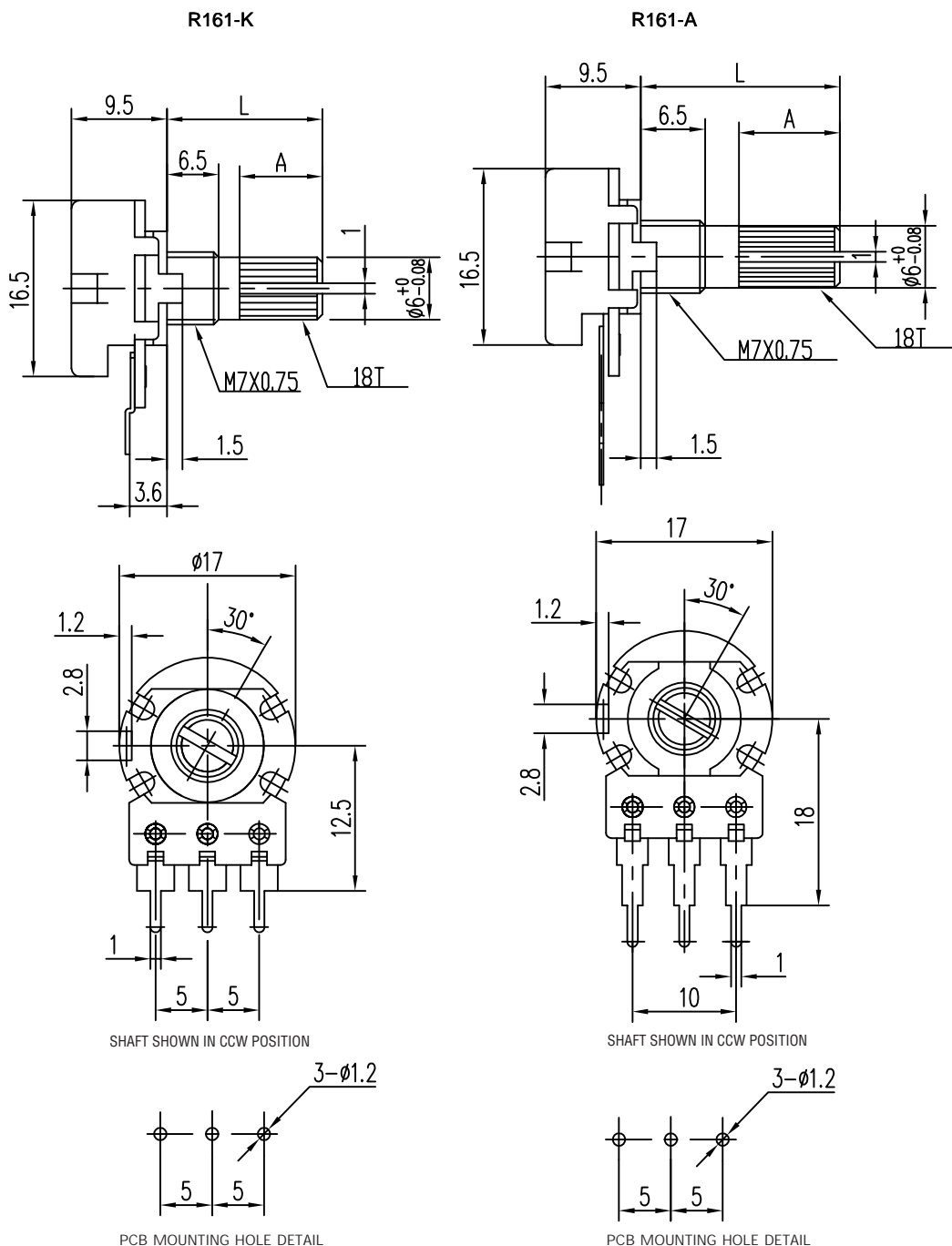
Less than 10 ± 0.3mm

Above 10-30 ± 0.5mm

Above 30-100 ± 1mm

Angle: Above ± 5°

Product Dimensions



Additional Features

- Linear, audio and reverse audio taper options
- RoHS compliant*

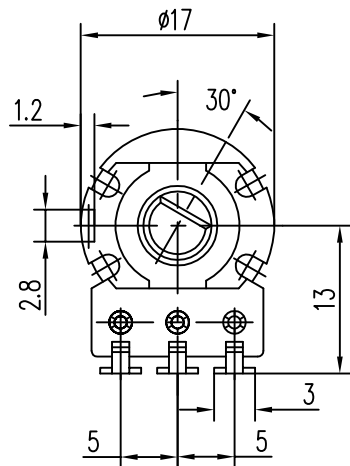
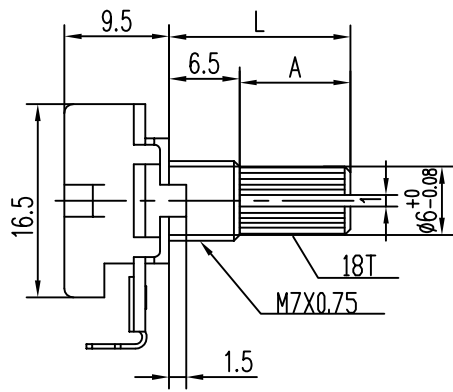
Applications

- Audio/TV sets
- Amplifiers/mixers/drum machines/synthesizers
- PCs/monitors
- Appliances

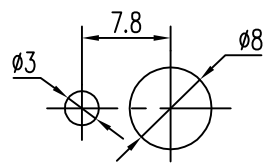
R16 Series - 17 mm Rotary Potentiometer

Product Dimensions

R161-E

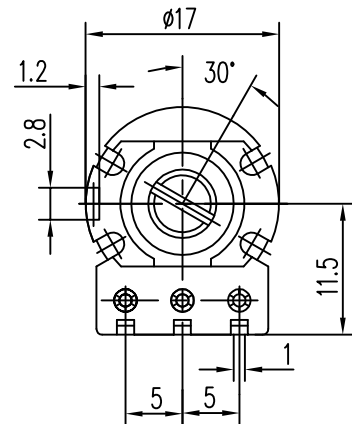
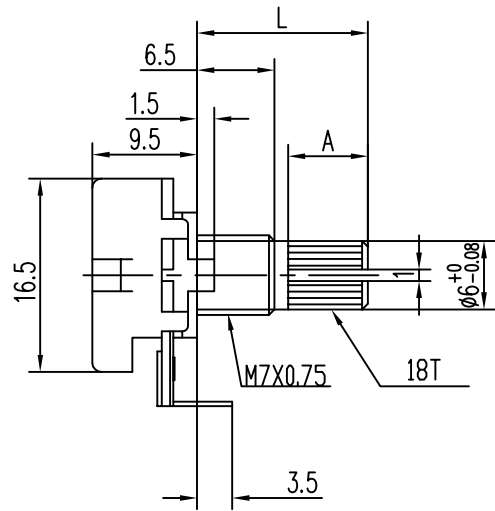


SHAFT SHOWN IN CCW POSITION

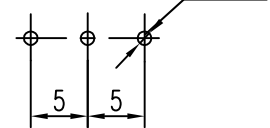


PCB MOUNTING HOLE DETAIL

R161-D

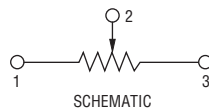


SHAFT SHOWN IN CCW POSITION



PCB MOUNTING HOLE DETAIL

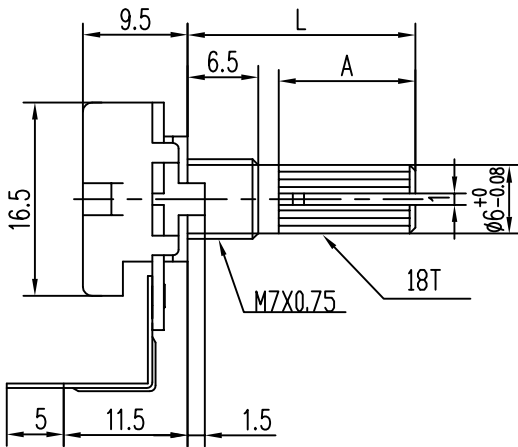
DIMENSIONS:MM



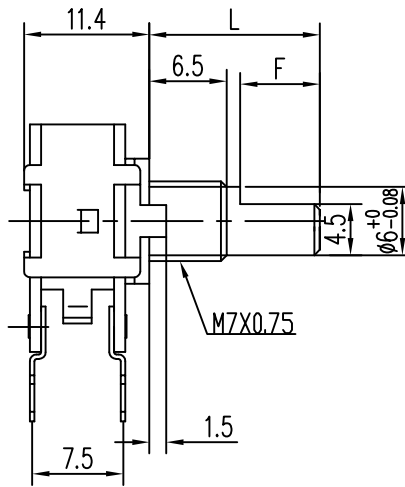
R16 Series - 17 mm Rotary Potentiometer

Product Dimensions

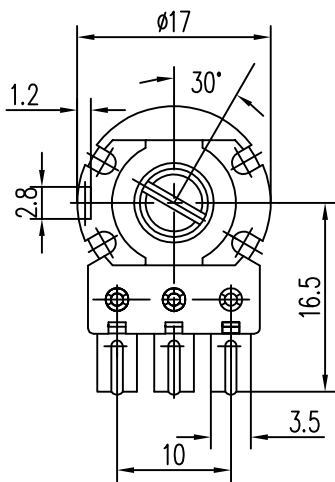
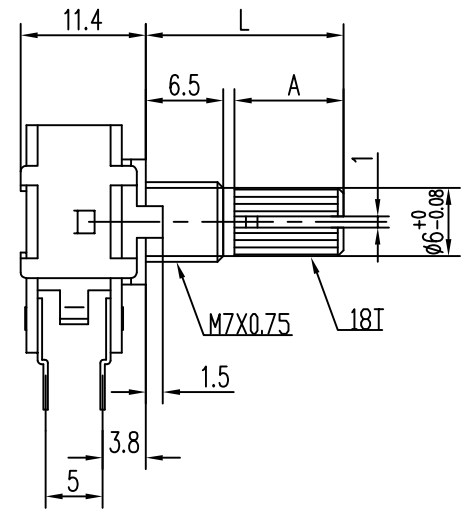
R161-P



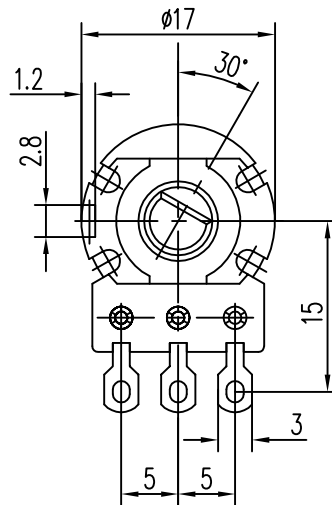
R162-B
Dual Gang



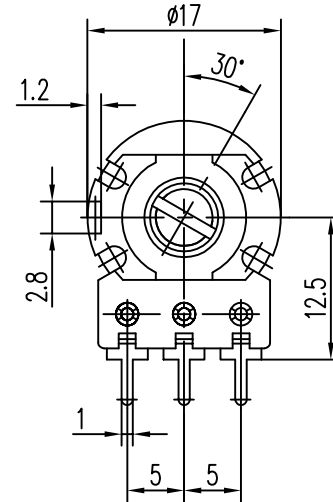
R162-K
Dual Gang



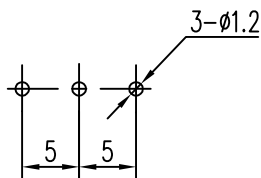
SHAFT SHOWN IN CCW POSITION



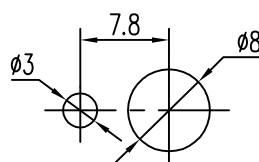
SHAFT SHOWN IN CCW POSITION



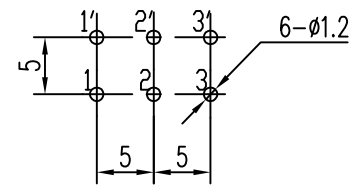
SHAFT SHOWN IN CCW POSITION



PCB MOUNTING HOLE DETAIL

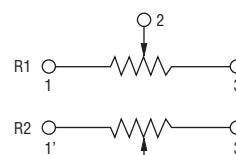


PCB MOUNTING HOLE DETAIL



PCB MOUNTING HOLE DETAIL

DIMENSIONS:MM

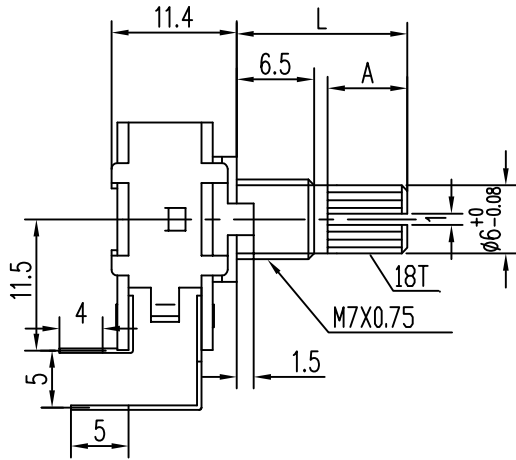


SCHEMATIC

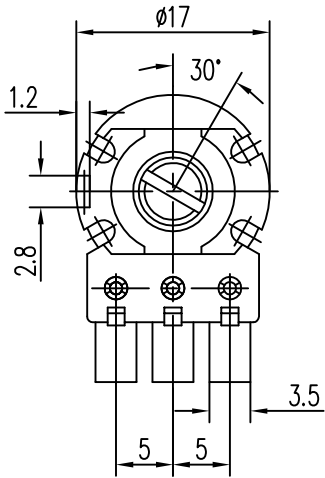
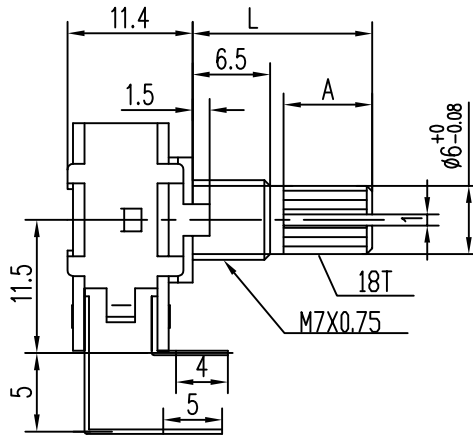
R16 Series - 17 mm Rotary Potentiometer

Product Dimensions

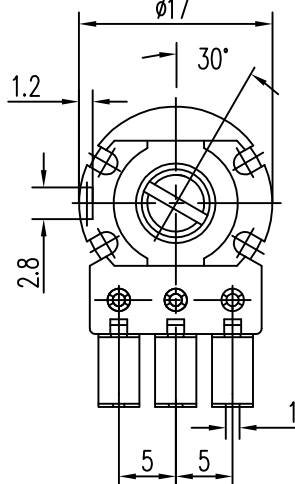
R162-P
Dual Gang



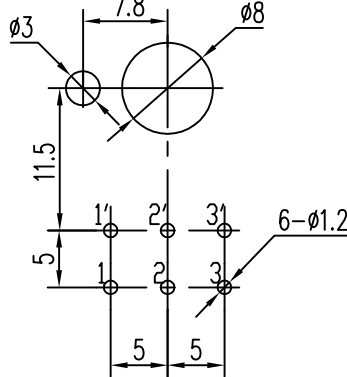
R162-D
Dual Gang



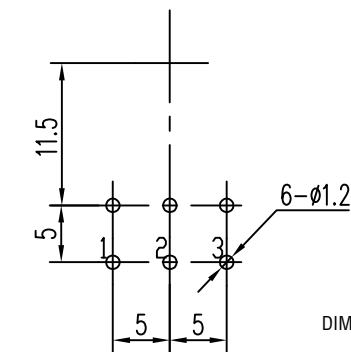
SHAFT SHOWN IN CCW POSITION



SHAFT SHOWN IN CCW POSITION

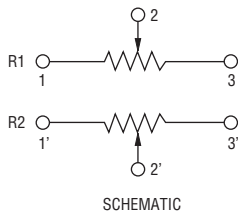


PCB MOUNTING HOLE DETAIL



PCB MOUNTING HOLE DETAIL

DIMENSIONS: MM

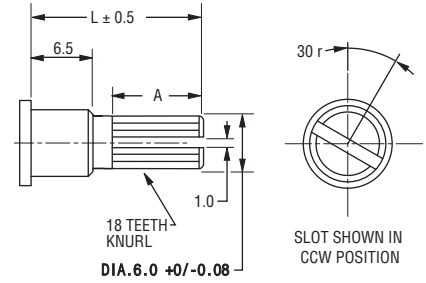


Shaft Styles

K1 Type (Metal Knurled Shaft):
Only for 15mm, 17mm, 20mm, 25mm

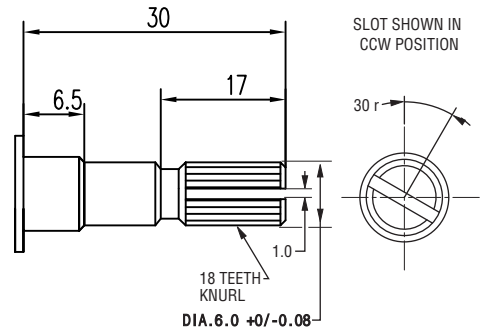
K2 Type (Plastic Knurled Shaft):
Only for 15mm, 20mm, 25mm, 30mm

L	15	17	20	25	30
A	6.5	8.5	11.5	17	17



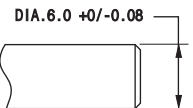
K1 Type (Metal Knurled Shaft)

L	30
A	17



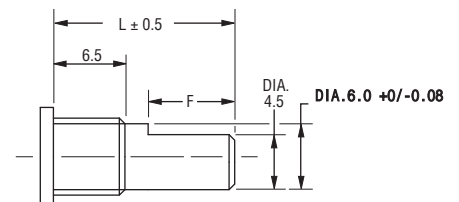
P Type

L	20	25	30
---	----	----	----



F Type

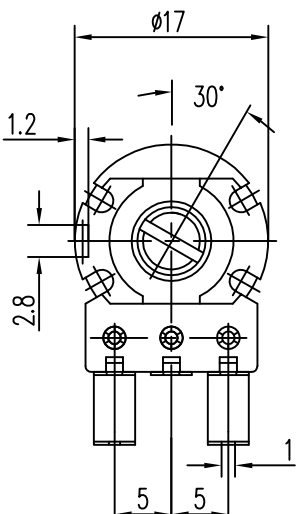
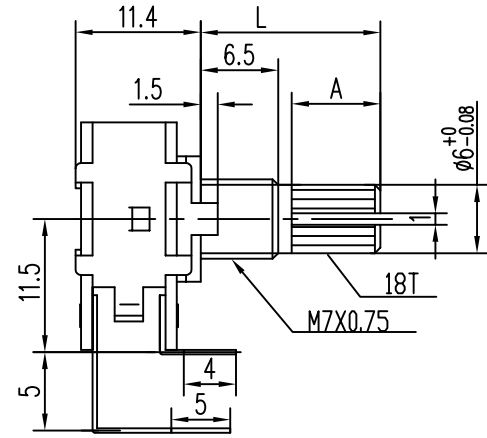
L	15	20	25	30	35
F	7	12	12	12	12



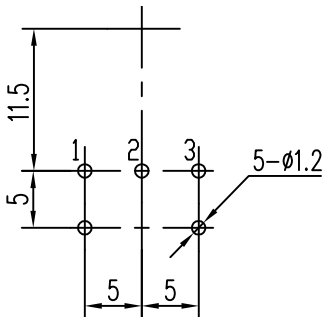
R16 Series - 17 mm Rotary Potentiometer

Product Dimensions

R163-D

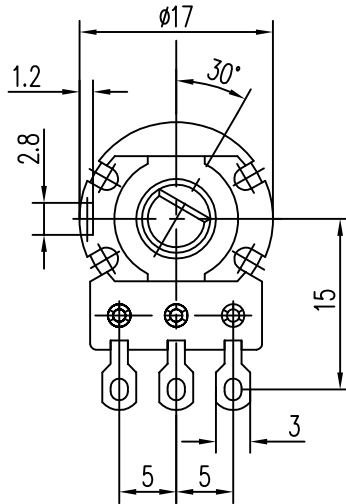
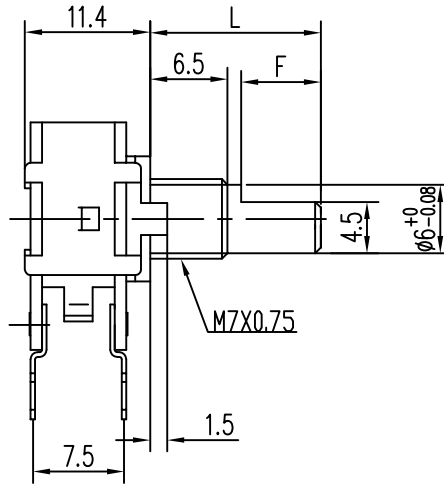


SHAFT SHOWN IN CCW POSITION

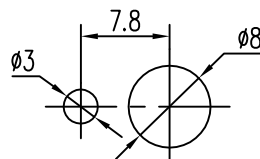


PCB MOUNTING HOLE DETAIL

R163-B

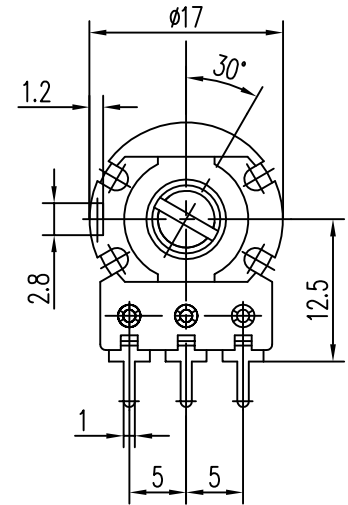
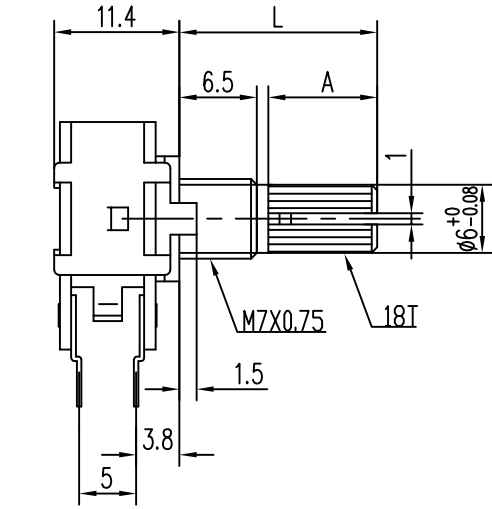


SHAFT SHOWN IN CCW POSITION

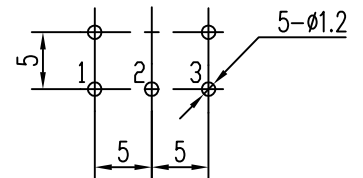


PCB MOUNTING HOLE DETAIL

R163-K



SHAFT SHOWN IN CCW POSITION



PCB MOUNTING HOLE DETAIL

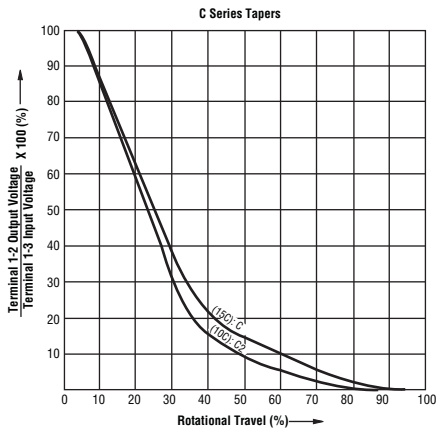
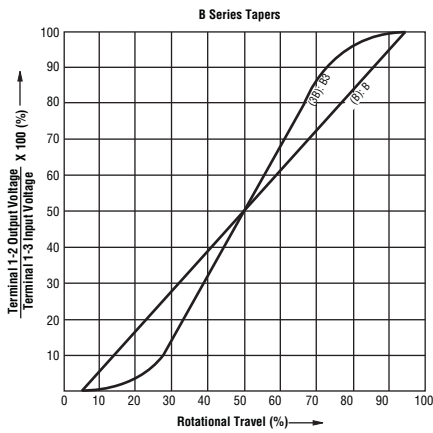
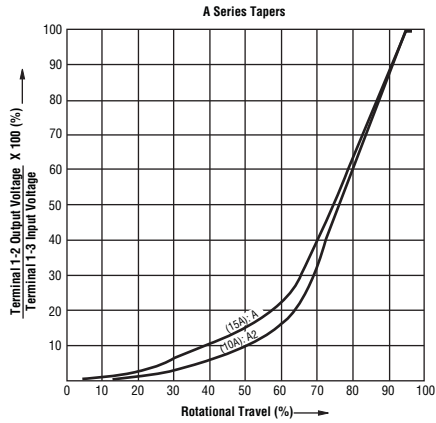
DIMENSIONS: MM



SCHEMATIC

R16 Series - 17 mm Rotary Potentiometer

Tapers



How To Order

R161 - K 4 25 F- 103 A1

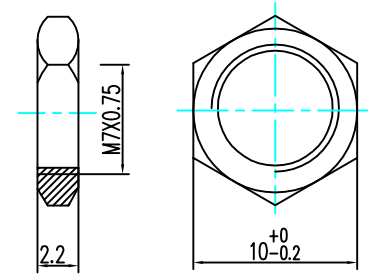
- Model _____
- Number of Sections _____
- 1 = Single Section
 - 2 = Dual Section
 - 3 = With switch
- Terminal Configuration (Pin Layout) _____
(see individual drawings)
- K = PC Pins vertical/ Down Facing (12.5 mm)
 - A = PC Pins vertical/ Down Facing (18.0 mm)
 - B = Solder Lugs PC Pins vertical Down Facing (15.0 mm)
 - E = Solder Lugs Rear Facing
 - P = PC Pins Rear Facing
 - D = PC Pins Front Facing
- Detent Option _____
- 2 = Center Detent
 - 4 = No Detents
 - 5 = 40 Detent / 41 Position
- Standard Shaft Length _____
- 15 = 15 mm
 - 17 = 17mm
 - 20 = 20 mm
 - 25 = 25 mm
 - 30 = 30 mm
 - 35 = 35 mm(Only for "F" shaft)
- Shaft Style _____
- F = Metal Flatted Shaft
 - K1 = Metal Knurled Type Shaft 18 Toothed Serration Type
 - K2= Plastic Knurled Type Shaft 18 Toothed Serration Type
 - P = Metal Plain Shaft (*17mm shaft length N/A)
- Resistance Code (See Table) _____
- Resistance Taper (See Taper Charts) _____
Taper Series followed by Curve Number

Standard Resistance Table

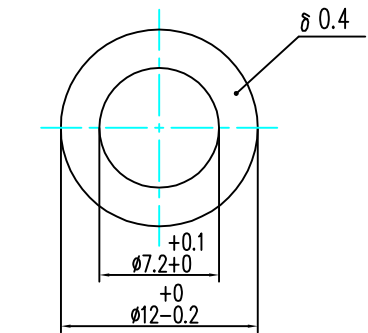
Resistance (Ohms)	Resistance Code
1,000	102
2,000	202
5,000	502
10,000	103
20,000	203
50,000	503
100,000	104
200,000	204
500,000	504
1,000,000	105

Hardware Dimensions

NUT (M7*0.75)



WASHER (M7)



Typical Weight

Model	Net Weight (appr.)
R161	7g ± 2g /pc
R162	8g ± 2g /pc
R163	8g ± 2g /pc

Note:
The net weight of product varies from different shaft materials(metal/plastic), shaft lengths and terminal types.