

Features

- Carbon element
- Wide range of resistance tapers
- Plain, flatted or knurled shaft options
- Switch options

R24 Series-24mm Rotary Potentiometer

Electrical Characteristics

Taper..... Linear, audio
 Resistance Range
 1 K to 2M ohms
 (Only for 10K lifecycles)
 10 K to 2M ohms
 (Only for 200K lifecycles)
 Standard Resistance Tolerance..... ±20 %
 Residual Resistance..... 1 % max.

Environmental Characteristics

Operating Temperature... -10 °C to +75 °C
 Power Rating (70 °C)..... 0.5 watt
 Maximum Operating Voltage
 200 V
 Sliding Noise 68 mV max.

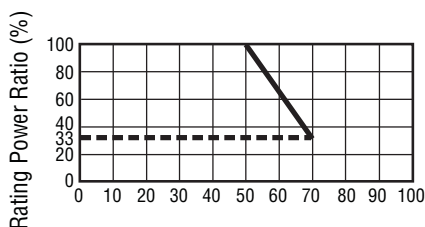
Mechanical Characteristics

Mechanical Angle..... 300 ° ±5 °
 Rotational Torque 10 to 150 gf-cm
 Switch operating Force
 200~800gf.cm
 Stop Strength 4 kg-cm min.
 Rotational Life
 10,000 cycles(Standard)
 200,000 cycles(Only for
 "without switch" model)
 Soldering Condition
 260 °C max. within 3 seconds
 Hardware One flat washer and
 mounting nut supplied per
 potentiometer with bushing

Materials

Housing Cold rolled strip
 Carbon plate
 Paper substrate plate
 Driving plate..... POM
 Reed..... Zinc cupronickel
 Terminal..... Cold rolled strip
 Bushing..... Zinc alloy/POM
 Shaft..... Zin alloy/Aluminum/POM
 Switch base..... H161 PF
 Collar..... H62 brass
 Blade of knife switch
 H62 brass
 Switch strut..... H59 copper wire
 Torsional spring..... Spring wire
 Rivet..... Aluminum
 Driving head..... PA 66
 Scaleboard
 Paper substrate plate
 Baseplate
 Paper substrate plate

Derating Curve

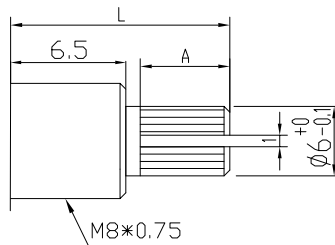


Product Dimensions

Shaft Styles

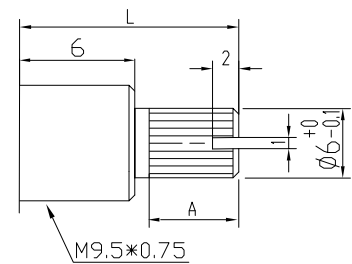
K1 Type

L	15	20	25
A	7	11	17



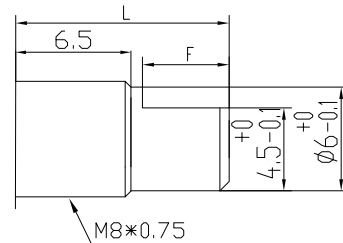
K2 Type

L	15	20	25
A	7.5	12.5	17



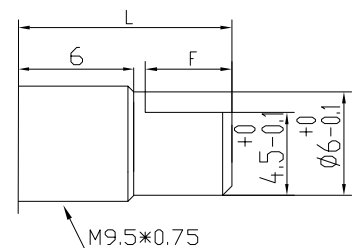
F1 Type

L	15	20	25
F	7	12	12



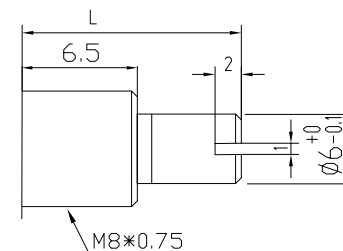
F2 Type

L	15	20	25
F	7	12	12



P Type

L	15	20	25
---	----	----	----



General Tolerance

Dimension:

Less than 10 ± 0.3mm

Above 10~30 ± 0.5mm

Above 30~100 ± 1mm

Angle: Above ± 5°

Additional Features

- Linear, audio and reverse audio taper options
- RoHS compliant*

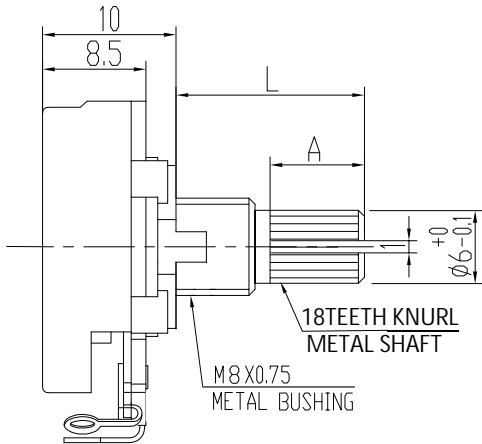
Applications

- Audio/TV sets
- Amplifiers/mixers/drum machines/synthesizers
- PCs/monitors
- Appliances

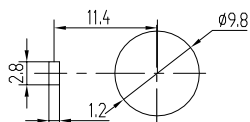
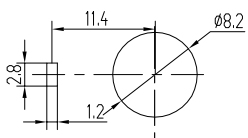
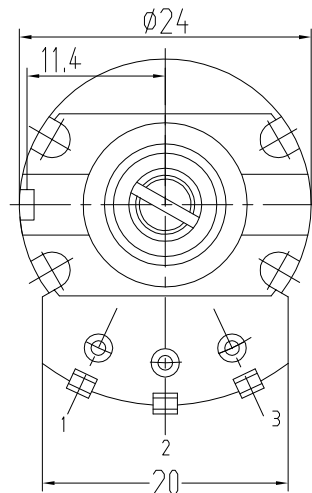
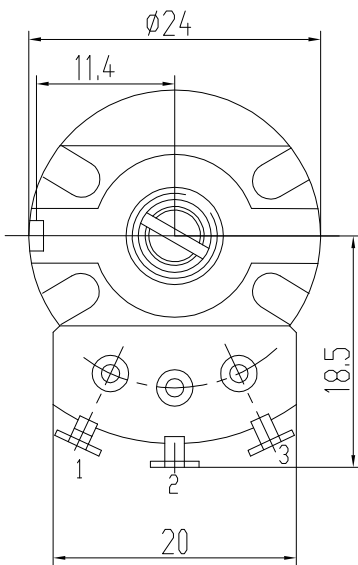
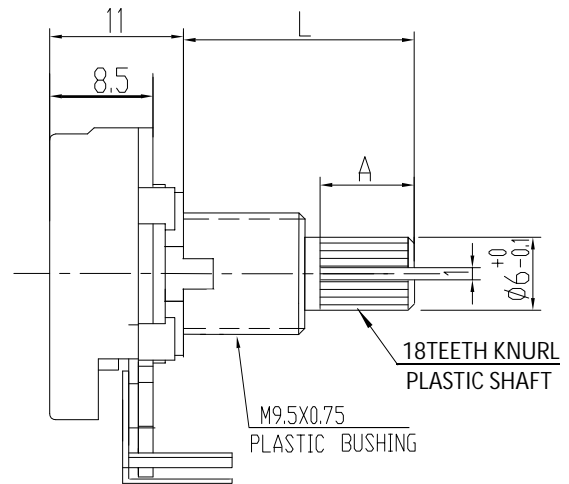
R24 Series-24mm Rotary Potentiometer

Product Dimensions

RD241-E

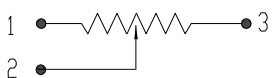


RD241-D

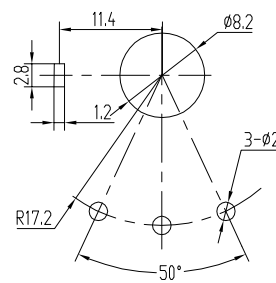


MOUNTING DIAGRAM OF METAL BUSHING

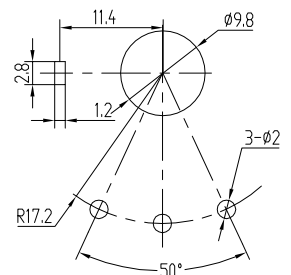
MOUNTING DIAGRAM OF PLASTIC BUSHING



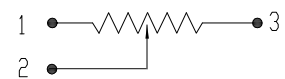
CIRCUIT DIAGRAM



P.C.B. MOUNTING HOLE DETAIL OF METAL BUSHING



P.C.B. MOUNTING HOLE DETAIL OF PLASTIC BUSHING

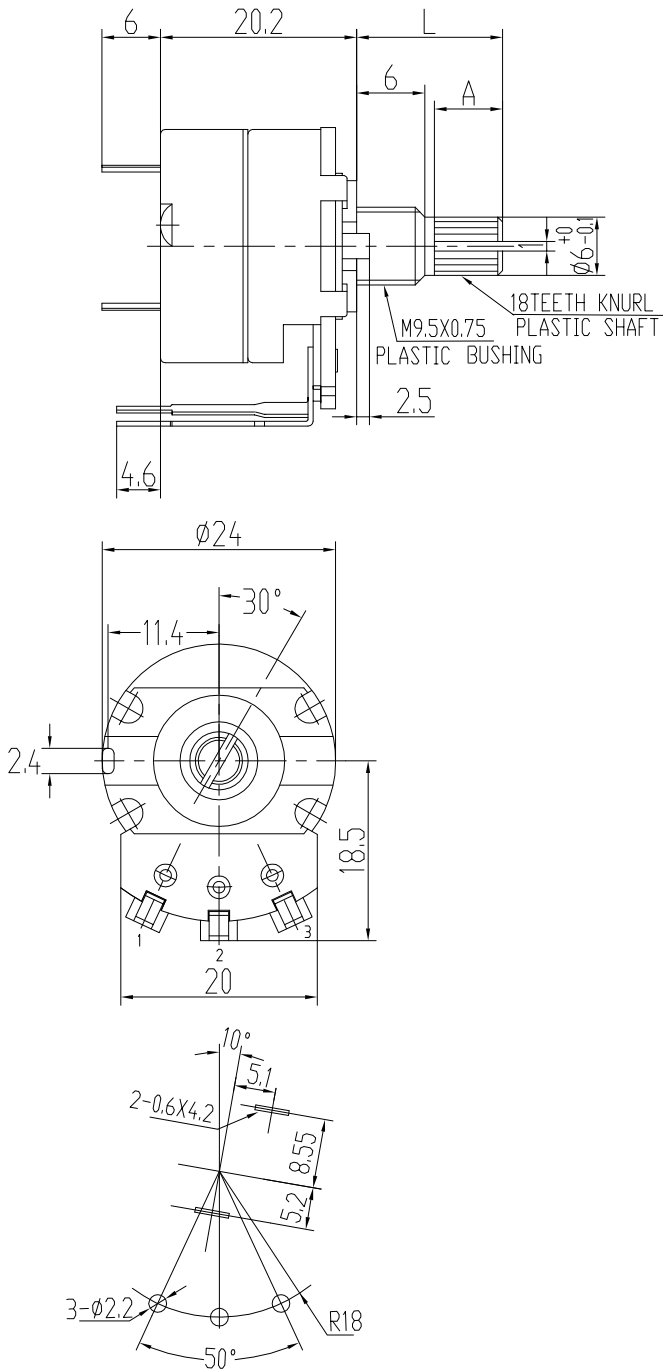


CIRCUIT DIAGRAM

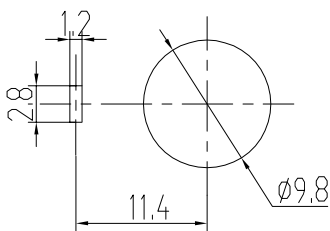
R24 Series-24mm Rotary Potentiometer

Product Dimensions

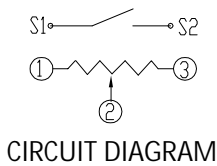
RD242-P



P.C.B.MOUNTING HOLE DETAIL

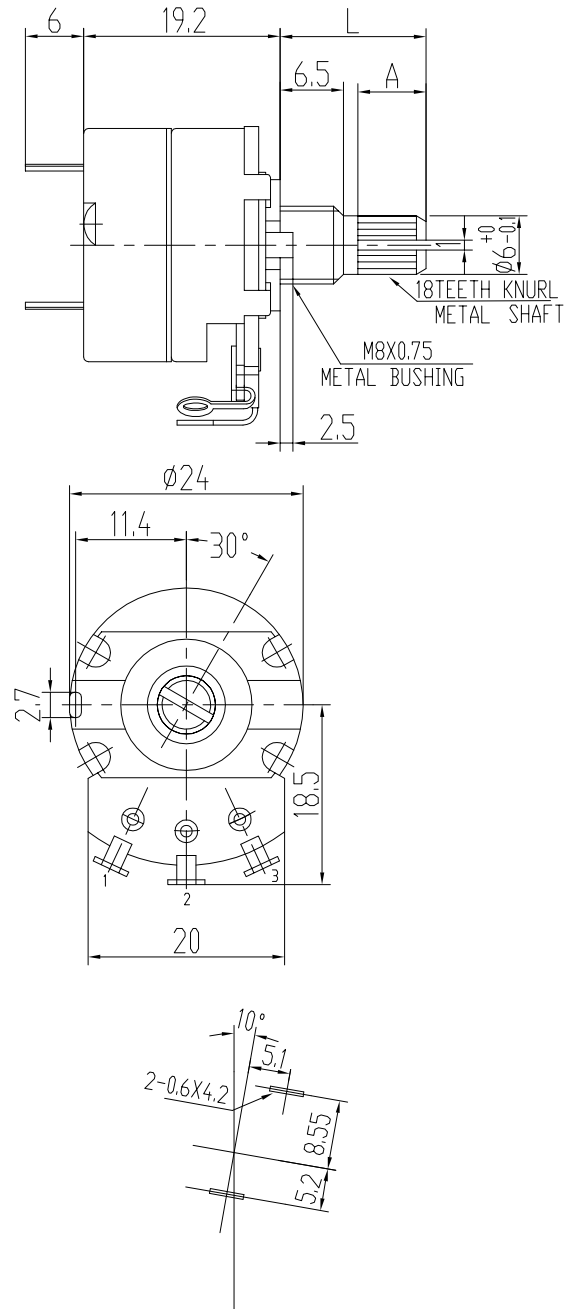


MOUNTING DIAGRAM

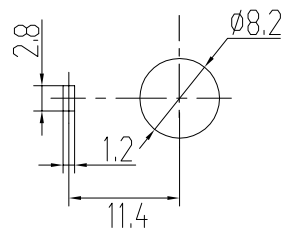


CIRCUIT DIAGRAM

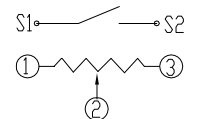
RD242-E



BOTTOM MOUNTING DIAGRAM



MOUNTING DIAGRAM

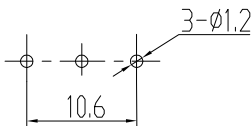
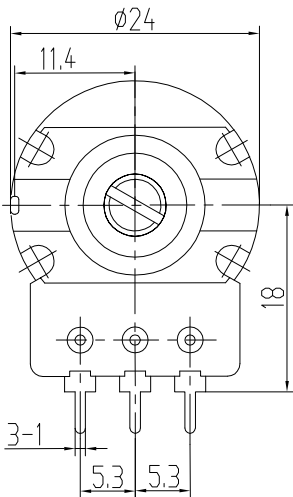
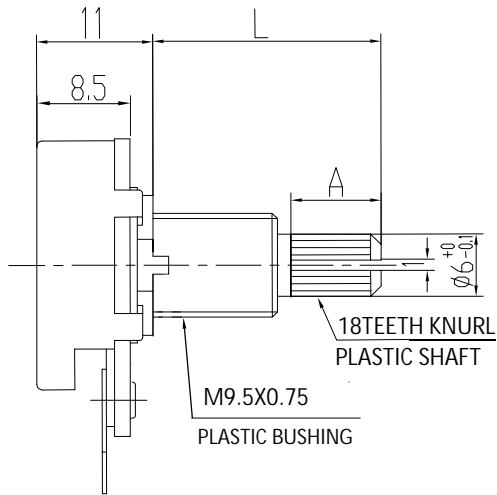


CIRCUIT DIAGRAM

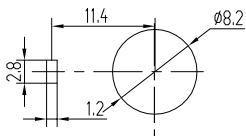
R24 Series-24mm Rotary Potentiometer

Product Dimensions

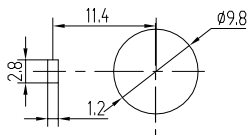
RB241-K



P.C.B. MOUNTING HOLE DETAIL



MOUNTING DIAGRAM OF METAL BUSHING



MOUNTING DIAGRAM OF PLASTIC BUSHING



CIRCUIT DIAGRAM

How To Order

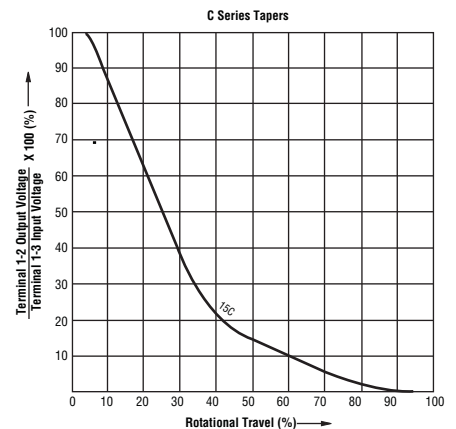
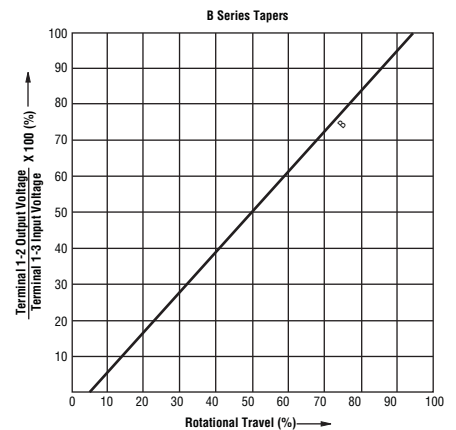
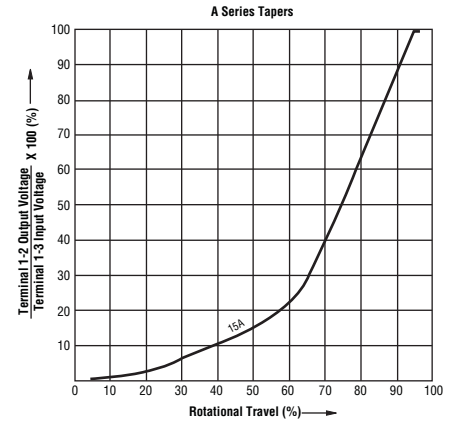
RB24 1 - K 25 P - 103 A

- Model
- RB24 = Square shaped carbon plate
 - RD24 = Arc shaped carbon plate
- Switch
- 1 = Without switch
 - 2 = With switch
- Terminal Configuration (Pin Layout) (see individual drawings)
- K = PC Pins vertical/Down Facing
 - E = Solder Lugs Rear Facing
 - P = PC Pins Rear Facing
 - D = PC Pins Front Facing
- Standard Shaft Length
- 15 = 15 mm
 - 20 = 20 mm
 - 25 = 25 mm
- Shaft Style
- F1 = Metal Flatted Shaft (Only for Metal bushing)
 - F2 = Plastic Flatted Shaft (Only for Plastic bushing)
 - K1 = Metal Knurled Type Shaft 18 Toothed Serration Type (Only for Metal bushing)
 - K2 = Plastic Knurled Type Shaft 18 Toothed Serration Type (Only for Plastic bushing)
 - P = Metal Plain Shaft (Only for Metal bushing)
- Resistance Code (See Table)
- Resistance Taper
- A = Reverse log
 - B = Linear
 - C = Log

Standard Resistance Table

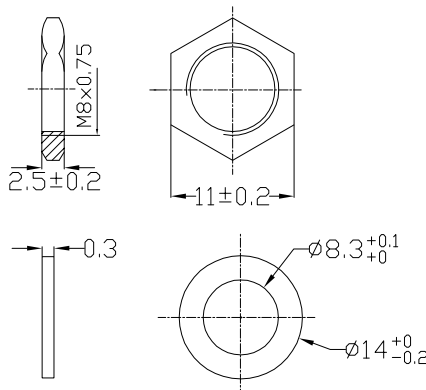
Resistance (Ohms)	Resistance Code
1,000	102
2,000	202
5,000	502
10,000	103
20,000	203
50,000	503
100,000	104
200,000	204
500,000	504
1,000,000	105
2,000,000	205

Tapers



Nuts & Washers

Metal Bushing



Plastic Bushing

