

# 6mm carbon potentiometer PT06



## Mechanical specifications

Mechanical rotation angle		235° ± 10°
Torque	rotational stop	10~80gf.cm 400gf.cm min
Life		up to 10K cycles

## Electrical specifications

Range of values <sup>1</sup>		1K Ω ≤ Rn ≤ 2MΩ
Standard tolerance*		± 20%
Max. voltage		200 VDC
Rating power 70°C		0.15 W
Taper		Reverse log , Linear , Log
Residual resistance		≤10 Ω
Slider noise		≤ 68mV
Operating temperature <sup>2</sup>		-10°C to+70°C

<sup>1</sup> Others: check availability.      <sup>2</sup> Up to 85°C depending on application.

## Materials

Driving plate&Housing	PA6 (Fammability rating: HB)
Terminals	Tinned steel strip
Reed	Zinc cupronickel

## Features

- Carbon resistive element.
  - Dust proof enclosure.
  - Nnloy substrate
  - Wiper positioned at initial, 50% or fully clockwise.
- \* ROHS compliant

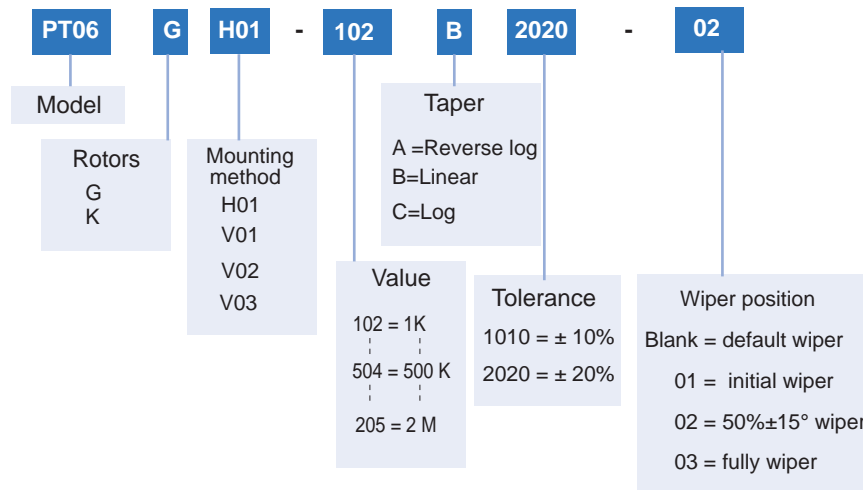
## Applications

Typical applications include test and measurement equipment, consumer electronics, appliances, small engines, robotics, motion controllers, and medical equipment control panels.

## Automotive / Appliance control - sensor

# 6 mm carbon potentiometer PT06

### How to order



### How to order examples

PT06KH01-103B2020-01

6mm potentiometer with rotor "K" (Cross slot)," H01" Mounting method(horizontal adjustment), 10K value and 20% resistive tolerance,initial wiper.

### Standard values - tolerances

Resistance $\Omega$	1K	2K	5K	10K	20K	25K	50K	100K	200K	250K	500K	1M	2M
How to order code	102	202	502	103	203	253	503	104	204	254	504	105	205
Standard tolerance	20%												

### Typical weight

1 pc of weight: 0.185±0.005g

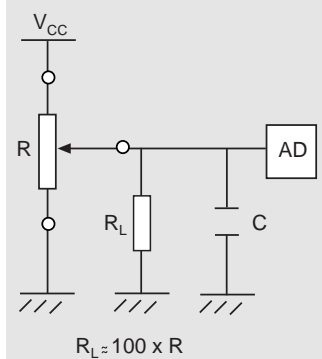
### Tests

Mechanical life (cycles)	1000 @ 10 CPM ...15 CPM
Temperature coefficient	-10°C to +70°C
Heat resistance	16 h. @ 85 °C
Moisture resistance	96 h. @ 40°C @ 95% HR

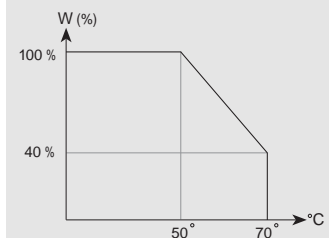
### Soldering condition

Wave soldering	260±5°C , 5±1second
Manual soldering	Max 350°C , within 3 second

### Recommended connections



### Power rating curve

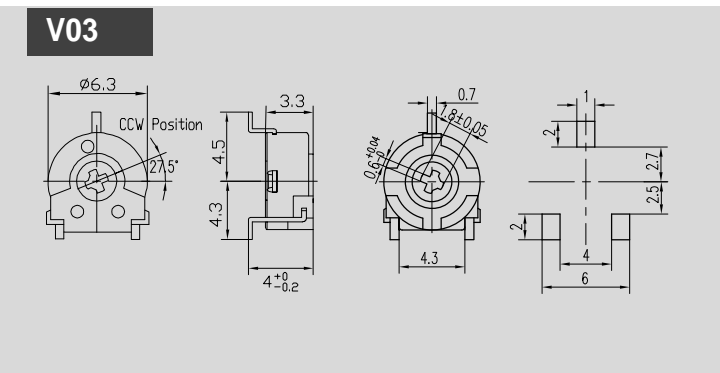
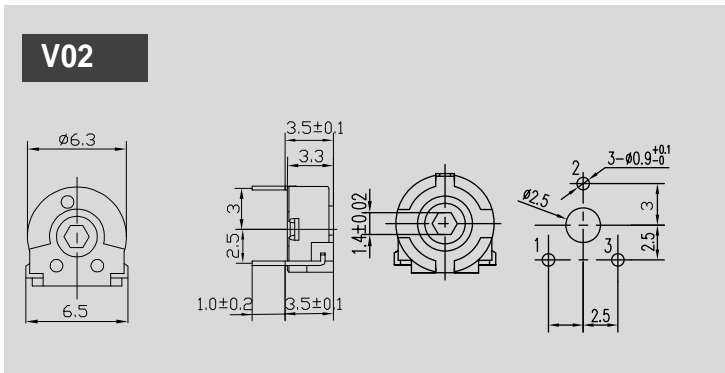
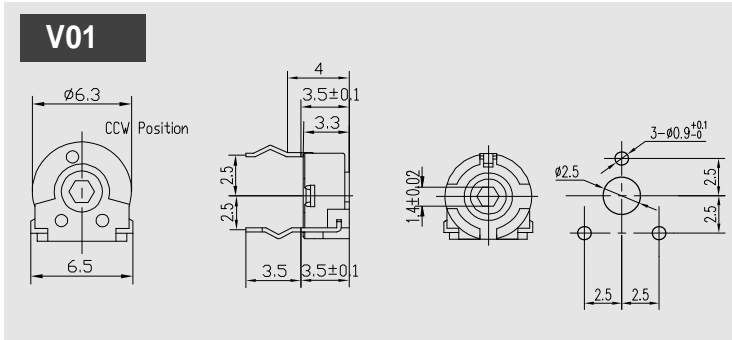


Automotive / Appliance control - sensor

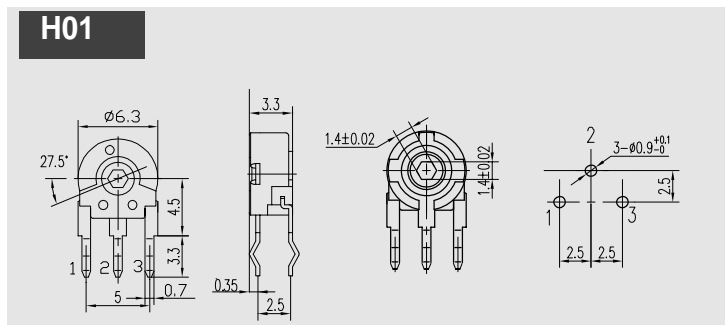
# 6 mm carbon potentiometer PT06

## Mounting methods. Dimensions

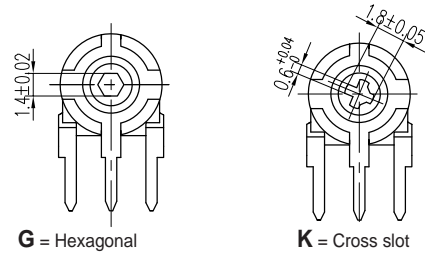
V = horizontal mounting – vertical adjustment



H = vertical mounting – horizontal adjustment



Without shaft or knob.



All rotors are thru-hole.

## Packaging for V03



QTY:1200PCS/REEL

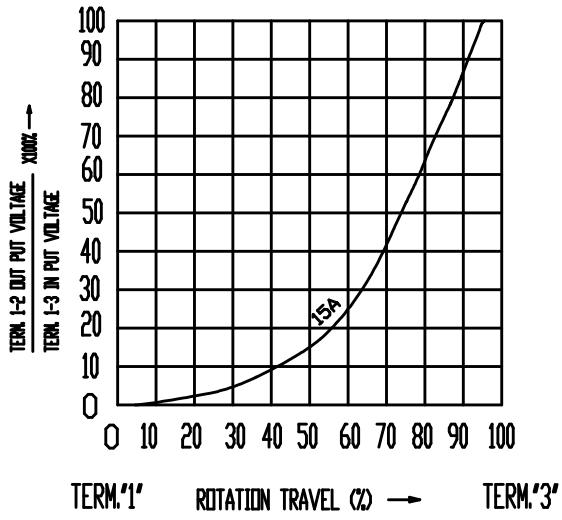


### GENERAL TOLERANCE

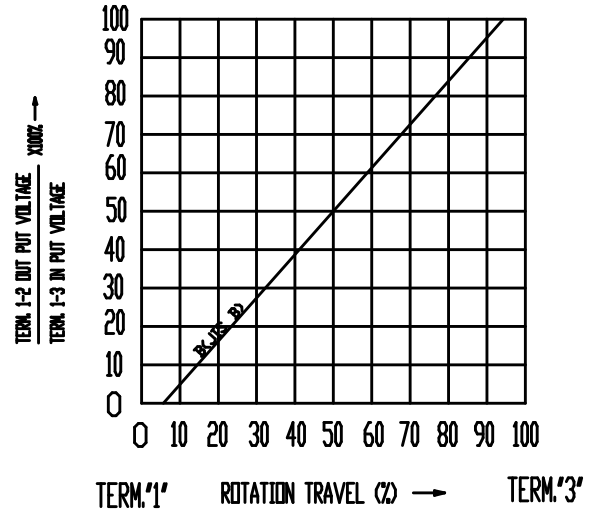
Dimension: Less than 10±0.3mm  
 Above 10~30±0.5mm  
 Above 30~100±1mm  
 Angle: Above \_\_\_ ±5°

# Tapers

### TAPERS (A) SERIES



### TAPERS (B) SERIES



### TAPERS (C) SERIES

