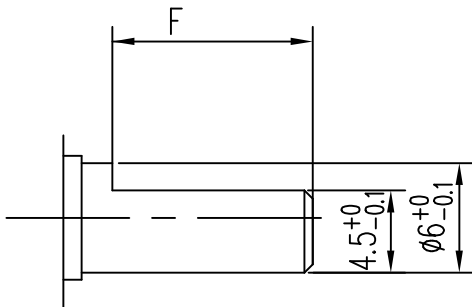
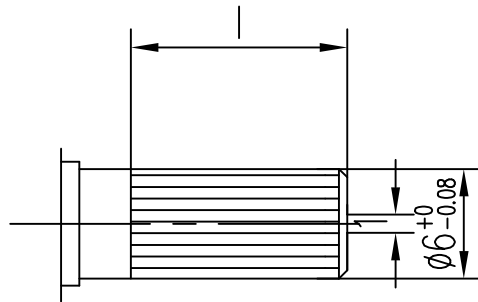


P.C.B MOUNTING HOLE DETAIL



L	20	25	30
F	7	12	12



L	20	25	30
I	7	12	12

江苏国科新昌科技有限公司

JIANG SU GUO KE XIN CHANG ELECTRONIC CO., LTD

NO.	DESCRIPTION	DATE	UNIT	mm		PART NO.	E12
DRAWN BY	CHECKED BY	APPROVED BY	TOL UNLESS OTHERWISE STATED			NAME	E12-1
			Less than 10 ± 0.3			DWG NO.	
			above 10~30 ± 0.5				
			above 30~100 ± 1				
			above $\pm 5^\circ$				