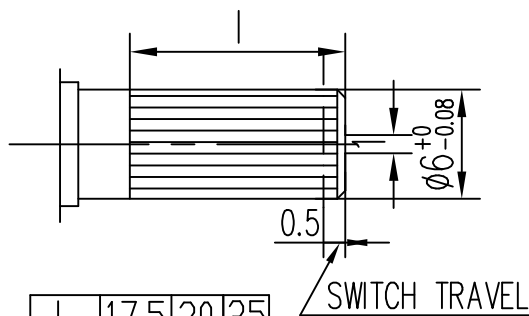
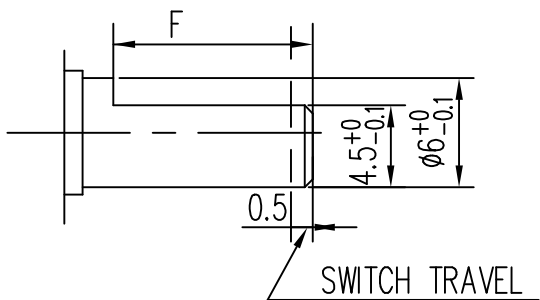


P.C.B MOUNTING HOLE DETAIL

Output signal format



L	17.5	20	25
F	5	7	12

L	17.5	20	25
I	5	7	12

江苏国科新昌科技有限公司

JIANG SU GUO KE XIN CHANG ELECTRONIC CO., LTD

Projected view

机种 E12

NO. DESCRIPTION DATE

TOL UNLESS OTHERWISE STATED

DRAWN BY CHECKED BY APPROVED BY

Less than 10 ±0.3  
above 10~30 ±0.5  
above 30~100 ±1  
above ±5°

品名 E12-2S

图号