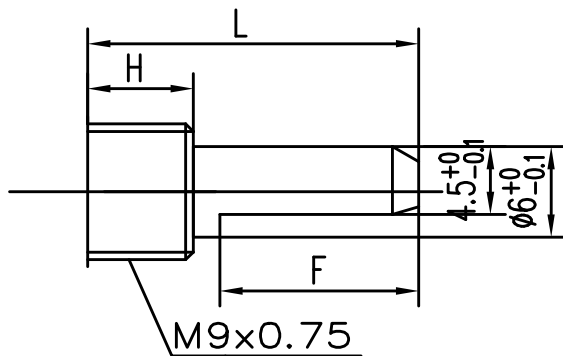
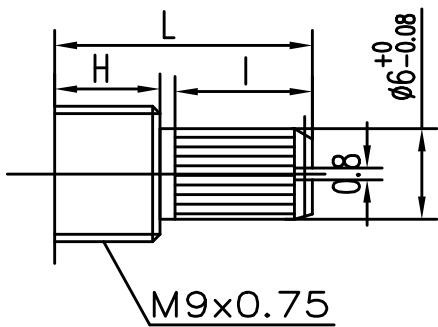


P.C.B MOUNTING DETAIL



H	5	7	
L	15	20	25
I	7	12	12

H	5	7	
L	15	20	25
I	7	12	12

江苏国科新昌科技有限公司

JIANG SU GUO KE XIN CHANG ELECTRONIC CO., LTD

			Projected view		机种	E16
NO.	DESCRIPTION	DATE	TOL UNLESS OTHERWISE STATED		品名	E16-2
DRAWN BY	CHECKED BY	APPROVED BY	Less than 10 ±0.3		图号	
			above 10~30 ±0.5			
			above 30~100 ±1			
			above ±5°			