



Features

- Low profile incremental encoder
- High-class rotational feel
- Haptic detent feedback
- RoHS compliant*

EC21 - 21 mm Low Profile Incremental Ring Encoder

Electrical Characteristics

Output.....2-bit quadrature code
 Contact Rating..... 10 mA @ 5 V DC
 Insulation Resistance
 100 megohms @ 250 V DC
 Dielectric Withstanding Voltage
 Sea Level.....300 V AC
 Electrical TravelContinuous
 Contact Bounce (15 RPM)..... 3 ms max.**

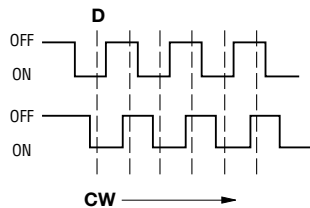
Environmental Characteristics

Operating Temperature..... -10 °C to +60 °C
 Storage Temperature..... -40 °C to +85 °C

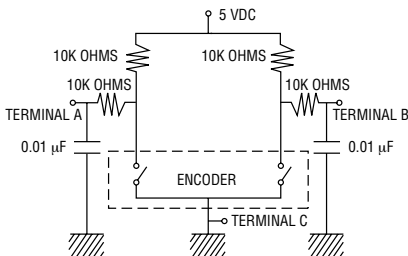
Mechanical Characteristics

RPM (Operating) 60 max.
 Mechanical Angle360 ° continuous
 Detent Torque..... 50 to 150 gf-cm
 Rotational Life.....30,000 cycles
 Soldering Condition
 Wave Soldering..... 260 °C for 3 seconds
 Manual Soldering... 300 °C for 3 seconds

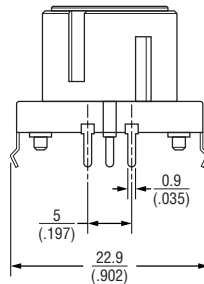
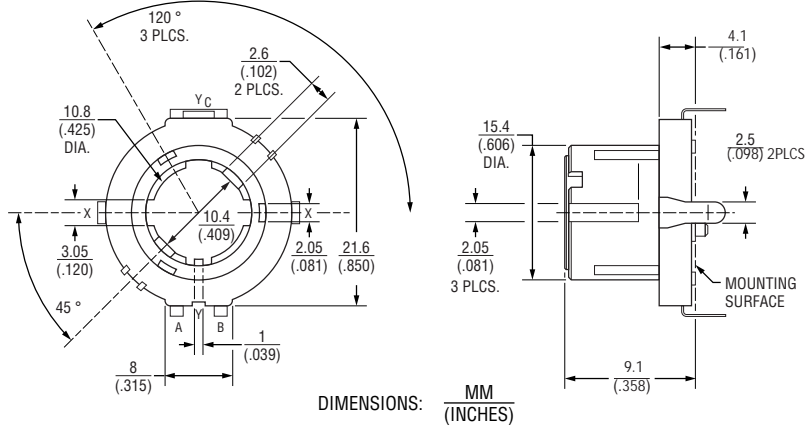
Quadrature Output Table



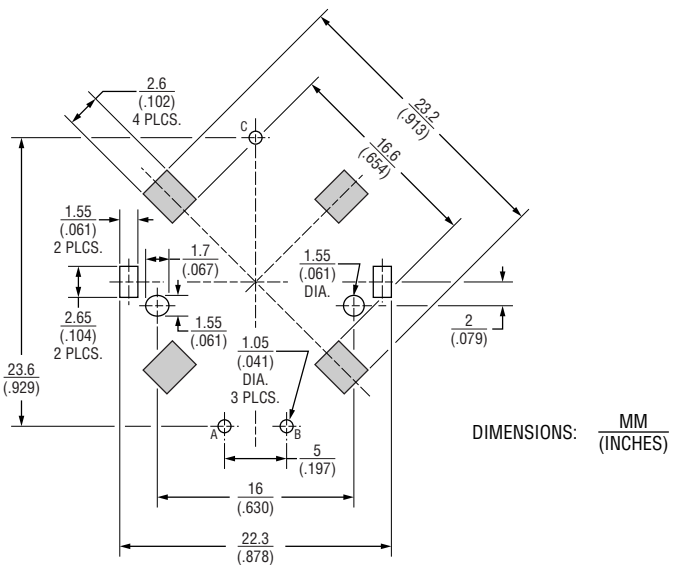
Suggested Filter Circuit



Product Dimensions



Recommended PCB Layout



How To Order

EC21A00V02 - 15P30D

Model _____ 15 Pluses 30 Detents