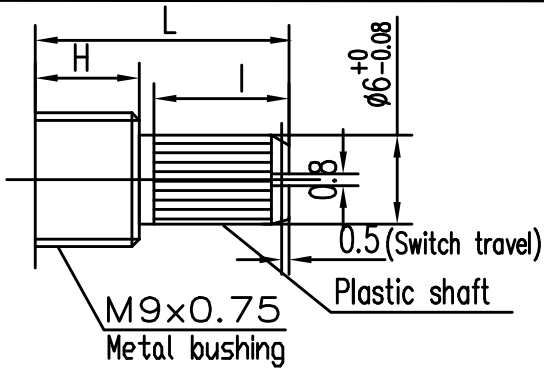
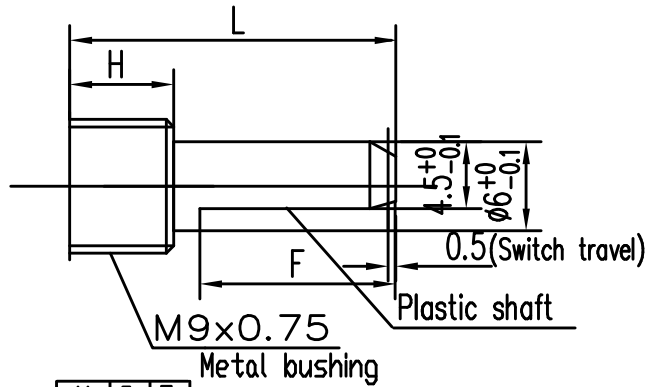


P.C.B MOUNTING DETAIL



H	5	7
L	15	20 25
I	7	12 12



H	5	7
L	15	20 25
F	7	12 12

江苏国科新昌科技有限公司
JIANG SU GUO KE XIN CHANG ELECTRONIC CO., LTD

			Projected view		机种	E16
			TOL UNLESS OTHERWISE STATED		品名	E16-2S
NO.	DESCRIPTION	DATE	Less than 10 ±0.3			
DRAWN BY	CHECKED BY	APPROVED BY	above 10~30 ±0.5		图号	
			above 30~100 ±1			
			above ±5*			