

Features

- Single-Turn / Cermet / Industrial / Sealed
- Miniature package
- Rotor designed for automatic machine adjust interface
- Withstands harsh environments and immersion cleaning processes
- Compatible with surface mount manufacturing processes
- RoHS compliant*

3361 – 1/4 " Square SMD Trimpot Trimming Potentiometer

Electrical Characteristics

Std. Resistance Range.....10 to 5 M
 Resistance Tolerance±10 % std.
 Absolute Minimum Resistance
 1 % or 2
 (whichever is greater)
 Contact Resistance Variation
 3 % or 3 max.
 (whichever is greater)
 Adjustability
 Voltage.....±0.05 %
 Resistance.....±0.15 %
 Resolution..... Infinite
 Insulation Resistance 500 vdc.
 1,000 M min.
 Dielectric Strength.....600 vac
 Adjustment Angle..... 240 ° nom.

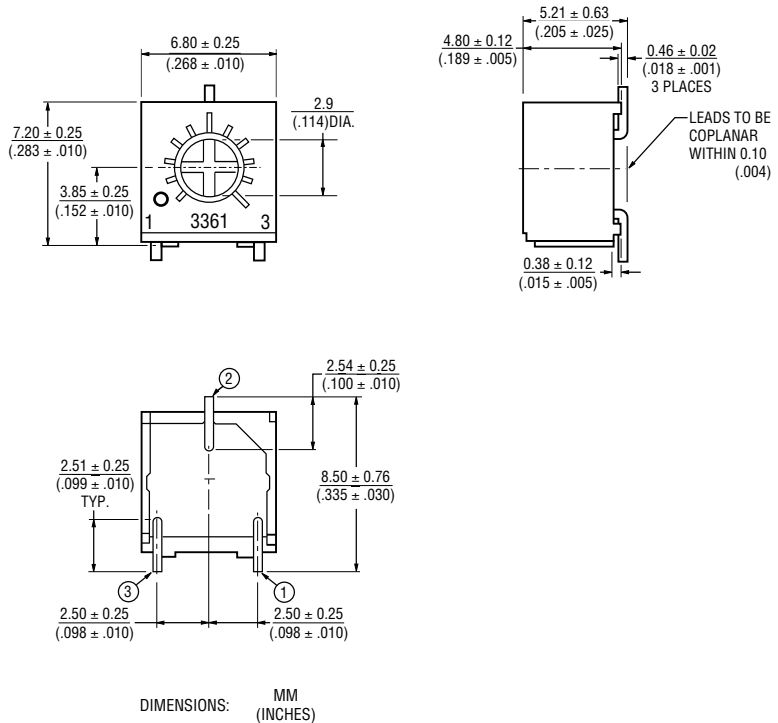
Environmental Characteristics

Maximum Soldering Exposure
 (Temp/Time).....+260 °C/20 sec. max.
 above 255 °C
 Power Rating (300 volts max.)
 70 °C..... 0.50 watt
 125 °C..... 0 watt
 Temperature Range..... -55 °C to +125 °C
 Temperature Coefficient±100 ppm/°C
 Shock..... 100 G (1 % ΔTR; 1 % ΔVR)
 Load Life.....1,000 hours 0.5 watt @ 70 °C
 (3 % ΔTR; 3 % or 3 ,
 whichever is greater, CRV)
 Rotational Life.....200 cycles
 (4 % ΔTR; 3 % or 3 ,
 whichever is greater, CRV)

Physical Characteristics

Mechanical Angle 270 ° nom.
 Torque..... 3.0 oz-in. max.
 Stop Strength..... 7.0 oz -in. min.
 Terminals Solderable pins
 Standard Packaging..... 50 pcs./Tube

Product Dimensions



How To Order

3361 P - 10K
 Model _____
 Style _____
 Resistance Code _____

Standard Resistance Table

Resistance (Ohms)	Resistance Code
10	10
20	20
50	50
100	100
200	200
500	500
1,000	1K
2,000	2K
5,000	5K
10,000	10K
20,000	20K
25,000	25K
50,000	50K
100,000	100K
200,000	200K
250,000	250K
500,000	500K
1,000,000	1M
2,000,000	2M
2,500,000	2.5M
5,000,000	5M

Recommended PCB Layout

