



Features

- Low profile incremental encoder
- High-class rotational feel
- Haptic detent feedback
- RoHS compliant*

EC25 - 23 mm Low Profile Incremental Ring Encoder

Electrical Characteristics

Output.....2-bit quadrature code
 Contact Rating..... 10 mA @ 5 V DC
 Insulation Resistance
100 M @ 250 V DC
 Dielectric Withstanding Voltage
 Sea Level.....300 V AC
 Electrical TravelContinuous
 Contact Bounce (15 RPM)..... 2 ms max.**

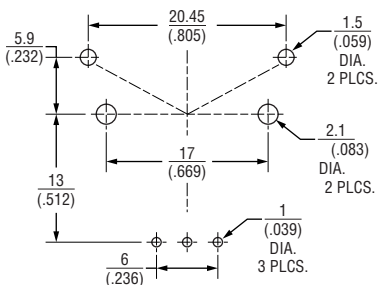
Environmental Characteristics

Operating Temperature..... -30 °C to +80 °C
 Storage Temperature..... -40 °C to +85 °C

Mechanical Characteristics

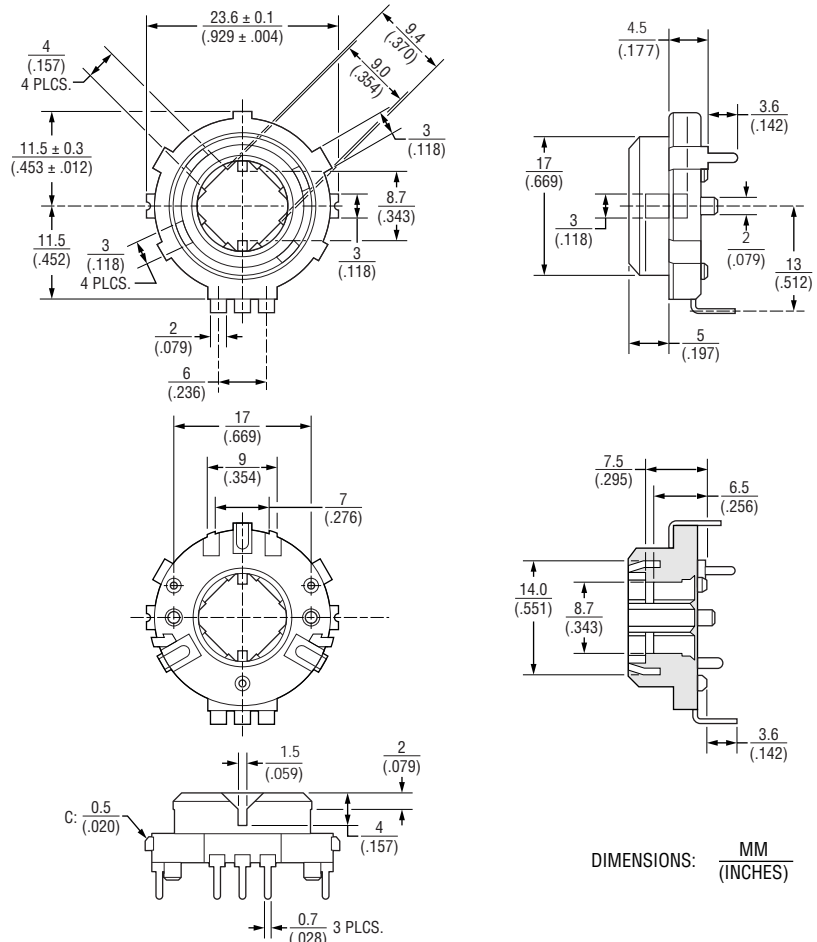
RPM (Operating) 60 max.
 Mechanical Angle 360 ° continuous
 Detent Torque.....30 to 150 gf-cm
 Rotational Life.....30,000 cycles
 Soldering Condition
 Wave Soldering..... 260 °C for 3 seconds
 Manual Soldering ... 300 °C for 3 seconds

Recommended PCB Layout



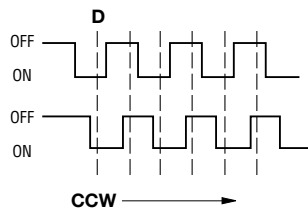
DIMENSIONS: $\frac{\text{MM}}{\text{(INCHES)}}$

Product Dimensions

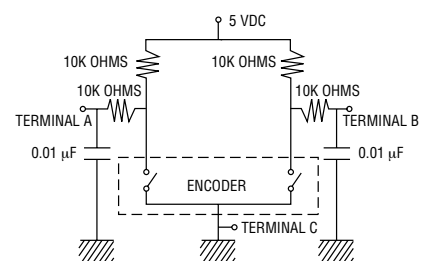


DIMENSIONS: $\frac{\text{MM}}{\text{(INCHES)}}$

Quadrature Output Table



Suggested Filter Circuit



How To Order

EC25A00V01-0001 XA010A20H095

Model

Resolution

10A = 10 Pulses 20 Detents
 20A = 20 Pulses 20 Detents