



Features

- Carbon element
- Metal housing
- 15-60mm travel
- RoHS compliant

SLXX21N Series - Slide Potentiometer

Electrical Characteristics

Standard Resistance Range
 1 K to 500 K

Standard Resistance Tolerance.....±20 %

Residual Resistance.....20 max.

Insulation Resistance
Min. 10 M at 250 V DC

Environmental Characteristics

Operating Temperature
-10 °C to +75 °C

Power Rating.....0.25 W

Maximum Operating Voltage
200 V AC

Withstand Voltage
 1 Min. at 300 V AC

Mechanical Characteristics

Operating Force30 to 150 gf

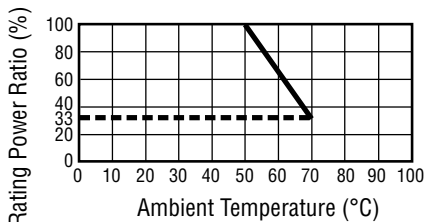
Sliding Life.....10,000 cycles

Stop Strength.....5 kgf min.

Soldering Condition
 300 °C max. within 3 seconds

Travel15/20/30/45/60 mm

Derating Curve



Standard Resistance Table

Resistance (Ohms)	Resistance Code
1,000	1 K
2,000	2 K
5,000	5 K
10,000	10 K
20,000	20 K
50,000	50 K
100,000	100 K
200,000	200 K
500,000	500 K

How To Order

SL6021N - 15 C - B 10K

Travel
 • 15 = 15 mm
 • 20 = 20 mm
 • 30 = 30 mm
 • 45 = 45 mm
 • 60 = 60 mm

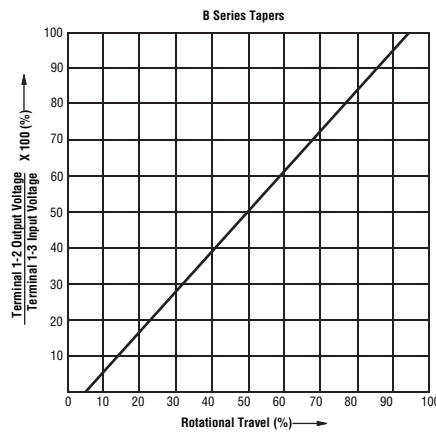
Lever Length
 • 5 = 5 mm (only for "CA")
 • 10 = 10 mm
 • 15 = 15 mm
 • 20 = 20 mm

Lever Material
 • CA = Plastic
 • C = Metal

Resistance Taper
 • B = Linear

Resistance Code (See Table)

Tapers

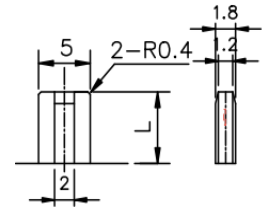


General Tolerance

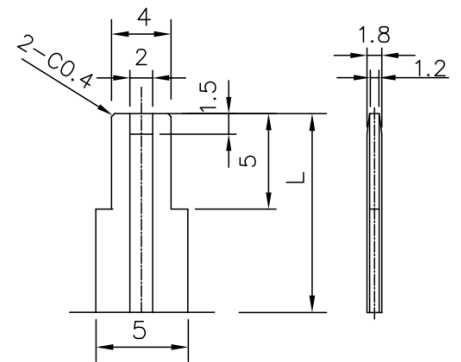
Dimension:
 Less than 10 ± 0.3mm
 Above 10~30 ± 0.5mm
 Above 30~100 ± 1mm
 Angle: Above ± 5°

Lever Dimensions

"CA"

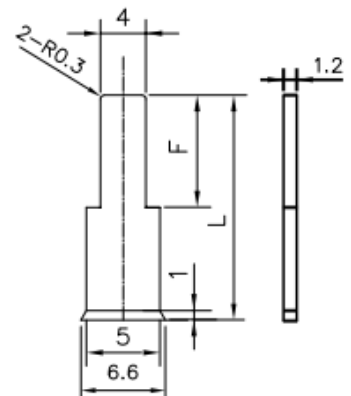


L	5
---	---



L	10	15	20
---	----	----	----

"C"



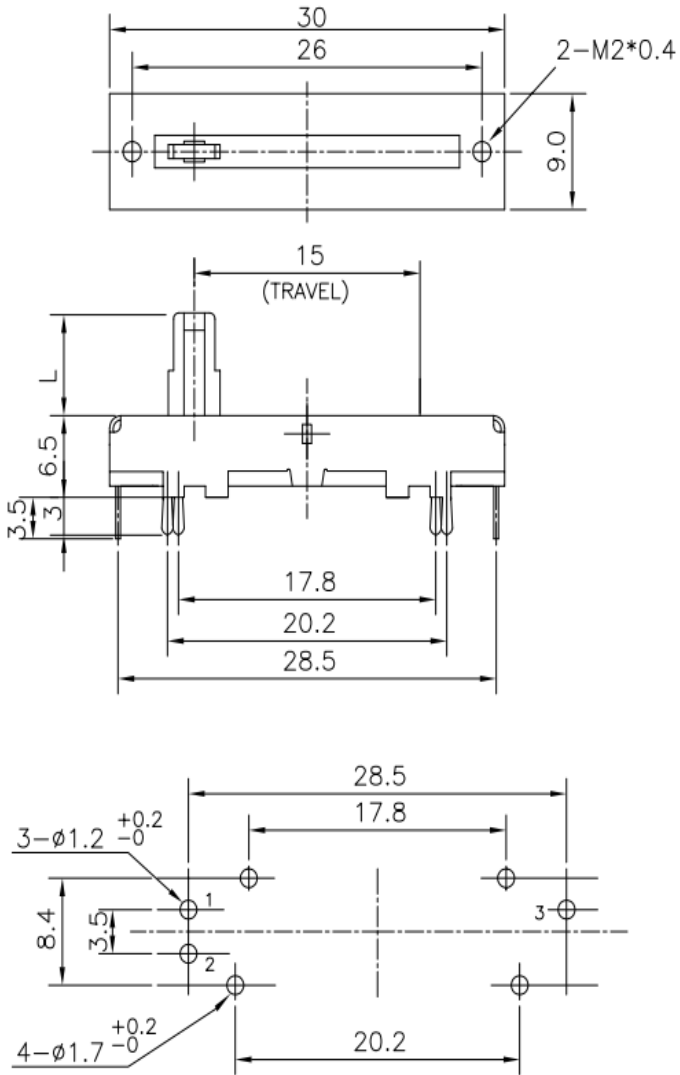
F	7	10	10
L	10	15	20

DIMENSIONS:MM

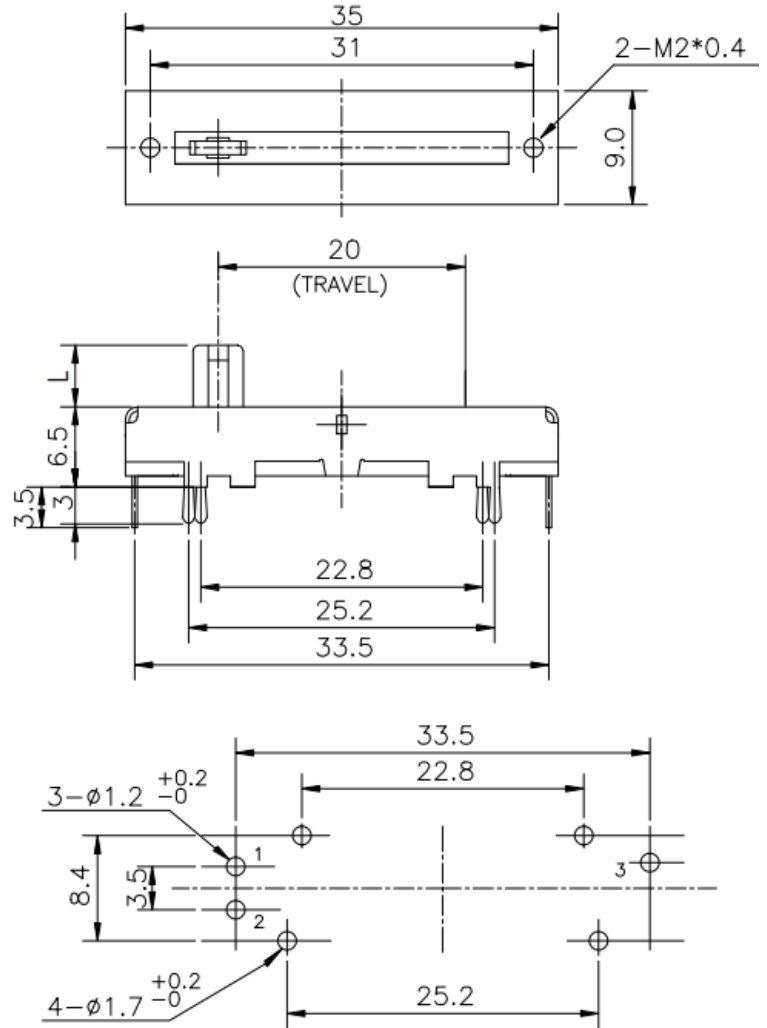
SLXX21N Series - Slide Potentiometer

Product Dimensions

SL1521N



SL2021N



SLXX21N Series - Slide Potentiometer

Product Dimensions

SL6021N

