



R172
R173

16 mm Carbon
Potentiometer

MECHANICAL SPECIFICATIONS

– Mechanical rotation angle:	270°±5°
– Torque:	20-200gf.cm
– Stop torque:	> 5Kgf.cm
– Shaft push-pull strength	80N max
– Detent torque	50-250gf.cm
– Life	15,000 cycles
– Switch operating life	15,000 cycles
– Withstand voltage	Between terminal@500Vac
– Switch rating	AC 125V 10A
– Switch contact resistance	20mohms max

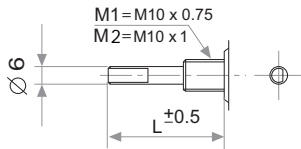
FEATURES

- Carbon resistive element.
- Nnloy substrate
- RoHS Compliant*
- Maximum- power Switch*
(meet UL certification standards)

ELECTRICAL SPECIFICATIONS

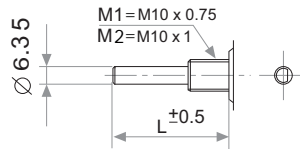
- Range of values*
 $1K\Omega \leq R_n \leq 2 M$
- Standard tolerance*: $\pm 20\%$
- Max. Voltage: 200 VDC
- Nominal Power 40°C : 0.2 W
- Taper* ; Linear, Reverse log, Log
- Residual resistance*: $\leq 10\Omega$
- Noise : $\leq 100mV$
- Operating temperature*: -10°C +70°C

SHAFT STYLES



F Type (Plastic Flatted Shaft)

L	17	19
F	8	8

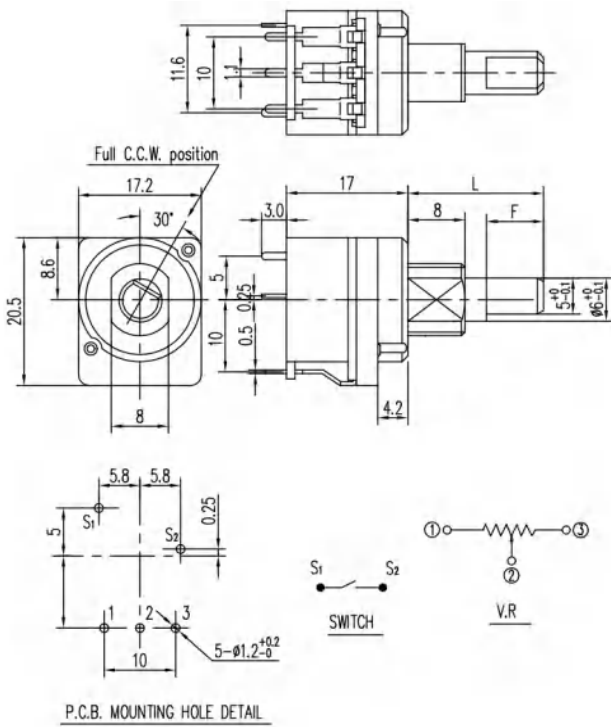


R Type (Plastic Plain Shaft)

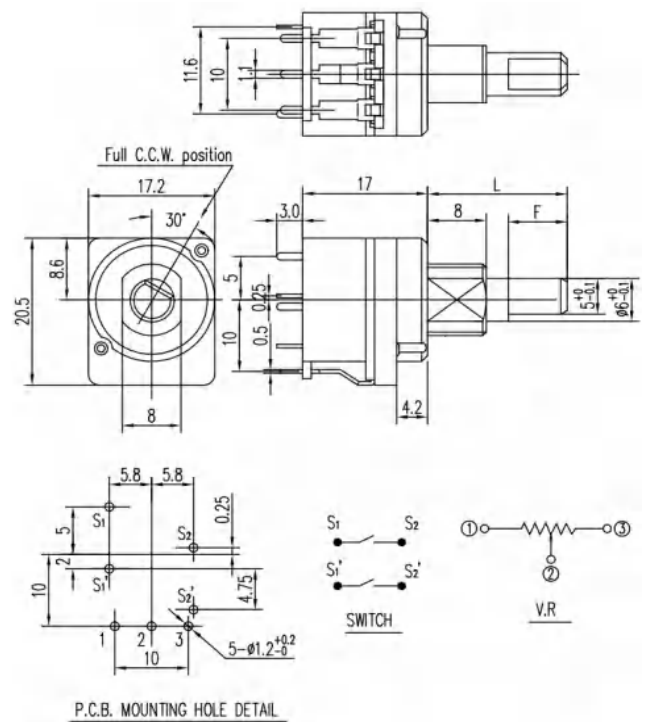
L	19.1
---	------

MODELS

R172-B



R173-B

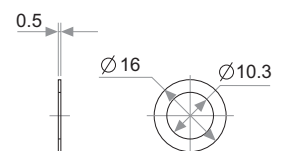
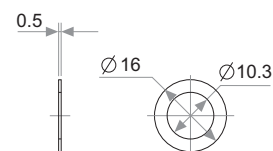
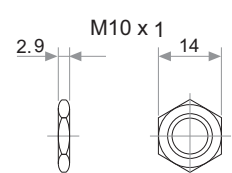
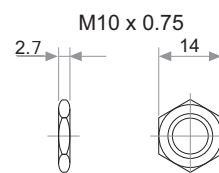


GENERAL TOLERANCE

Dimension: Less than 10±0.3mm
 Above 10~30±0.5mm
 Above 30~100±1mm
 Angle: Above ±5°

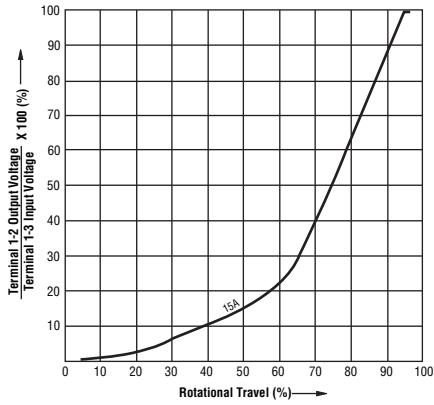
NUT & WASHER

Bushing 10

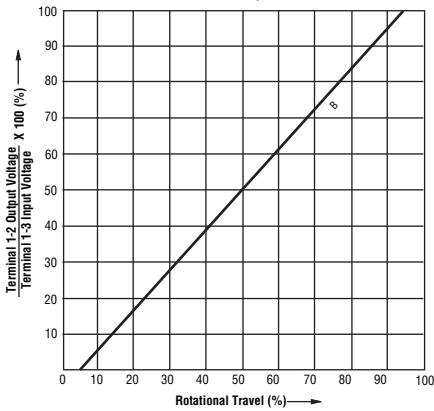


TAPERS

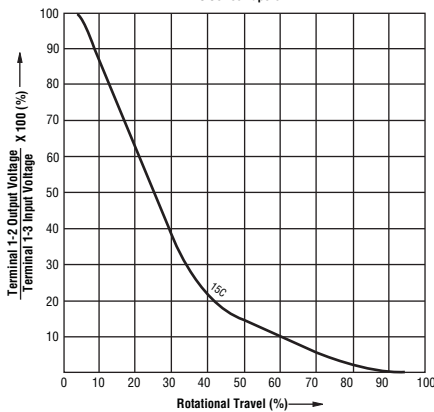
A Series Tapers



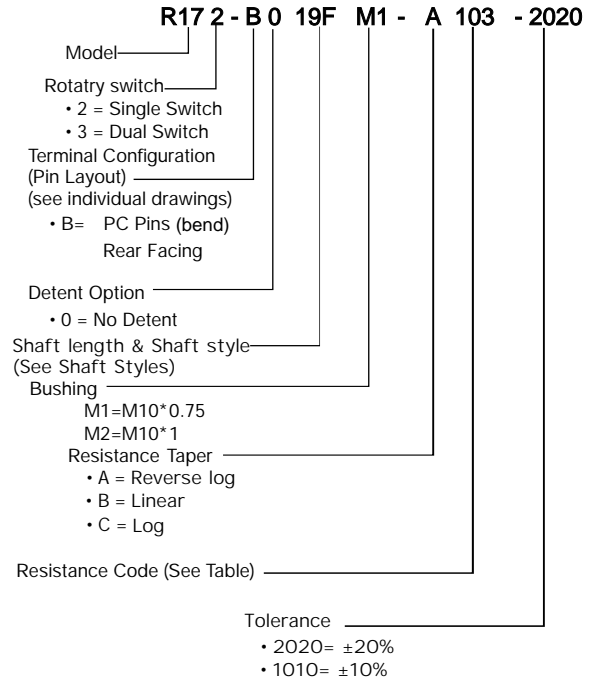
B Series Tapers



C Series Tapers



HOW TO ORDER



STANDARD RESISTANCE TABLE

Resistance (Ohms)	Resistance Code
1,000	102
2,000	202
5,000	502
10,000	103
20,000	203
50,000	503
100,000	104
200,000	204
500,000	504
1,000,000	105
2,000,000	205